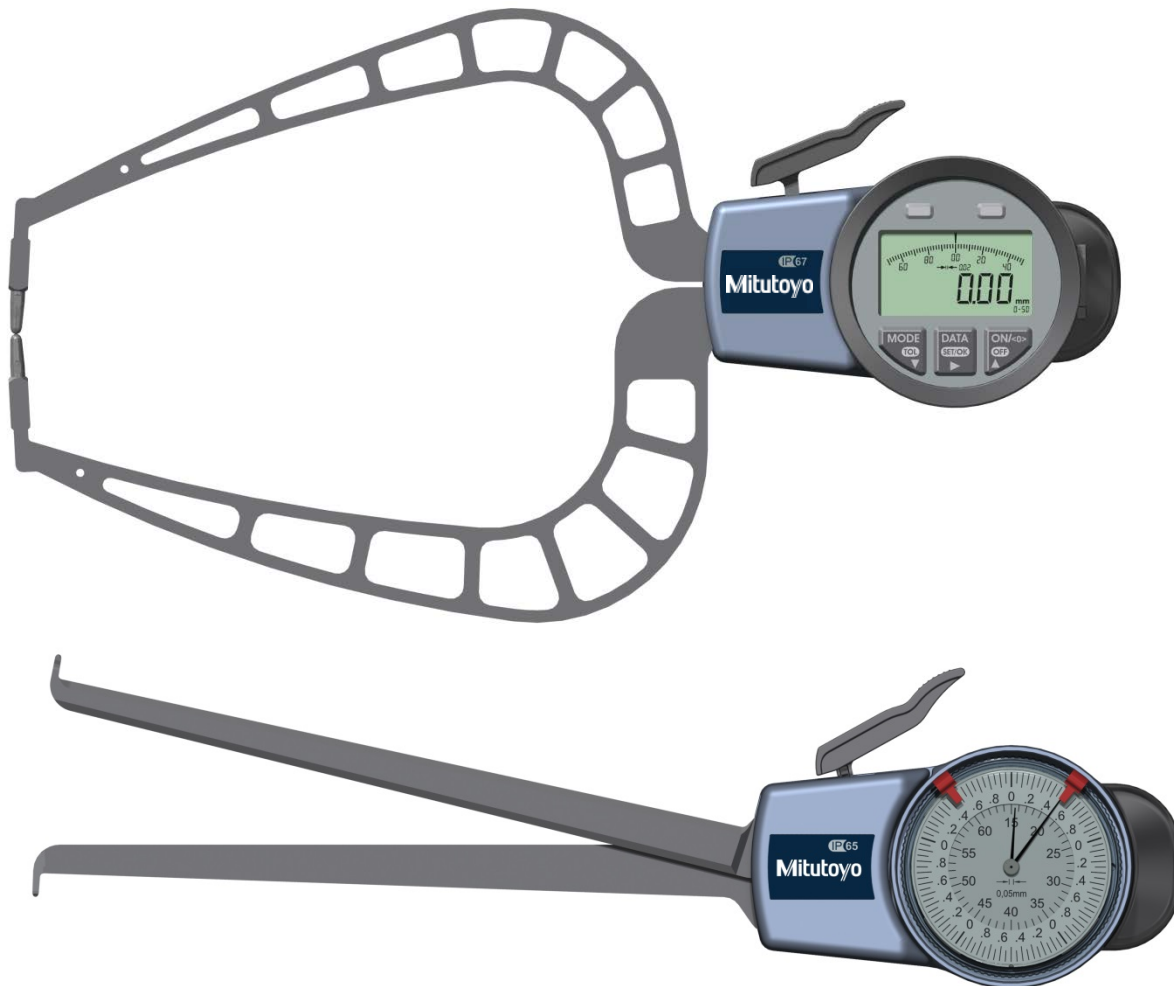
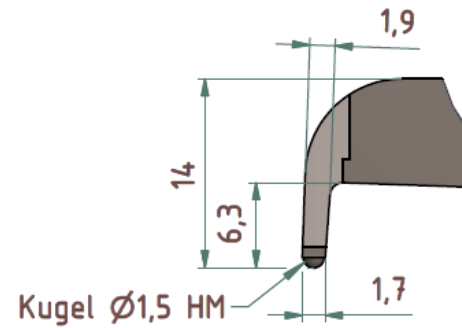
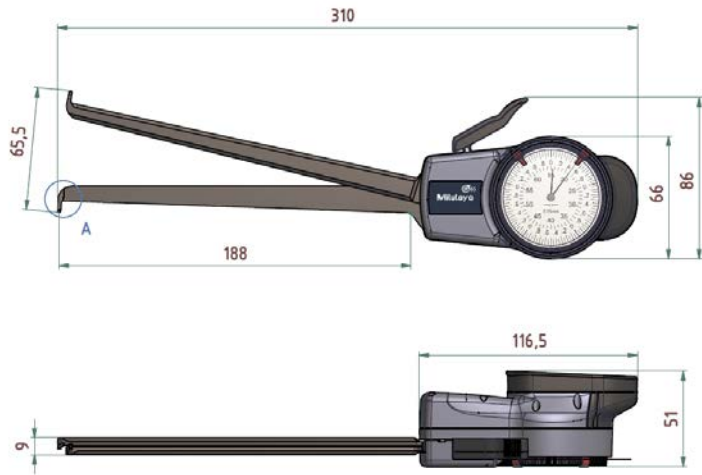


Caliper Gauge Series 209

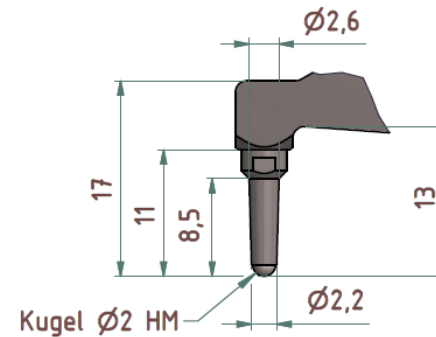
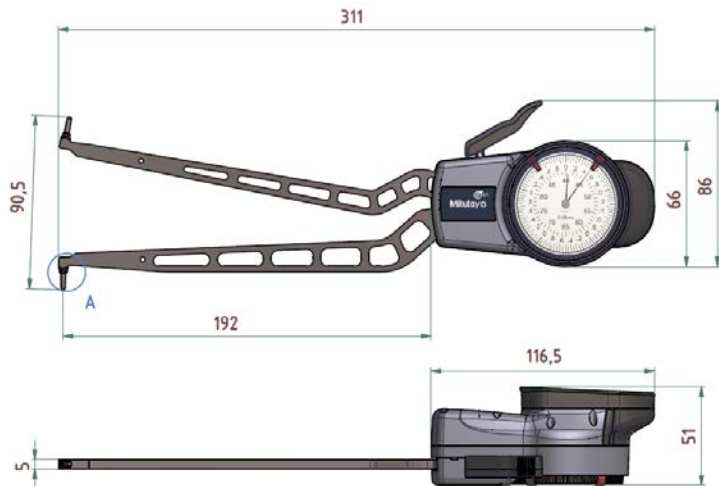


New Type	Old Type
209-901	209-896
209-902	209-897
209-903	209-898
209-904	209-505
209-905	209-516
209-906	209-511
209-907	209-513
209-908	209-514
209-909	209-515
209-910	209-517
209-911	209-602
209-912	209-604
209-913	209-531
209-914	209-532
209-915	209-533
209-916	209-782
209-917	209-783
209-918	209-534
209-919	209-535
209-920	209-536

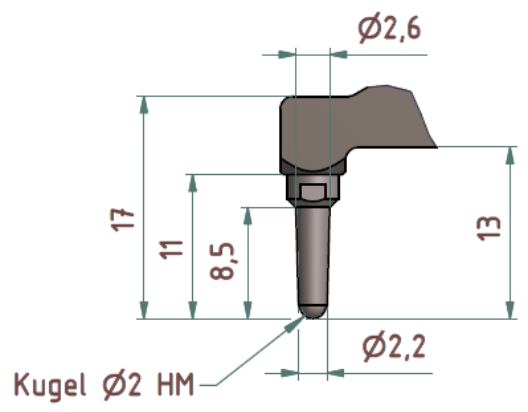
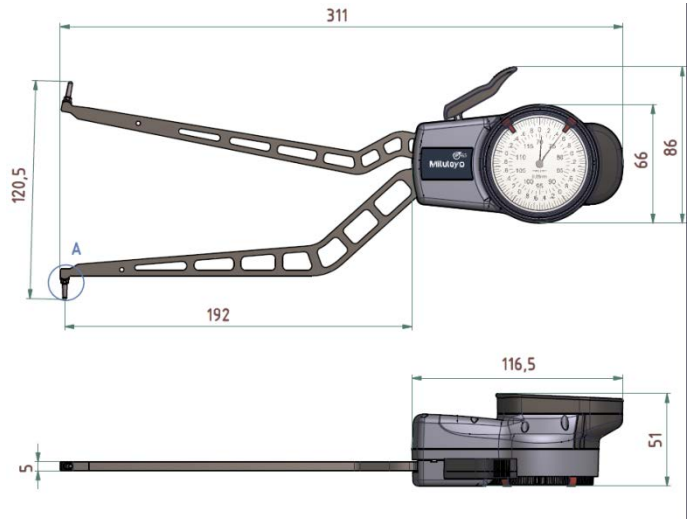
Old Type	Range	New Type	Range	Measuring Force	Graduation	Accuracy	Weight
209-896	15-65 mm	209-901	15-65 mm	0,9-1,9 N	0,05 mm	0,05 mm	355 g



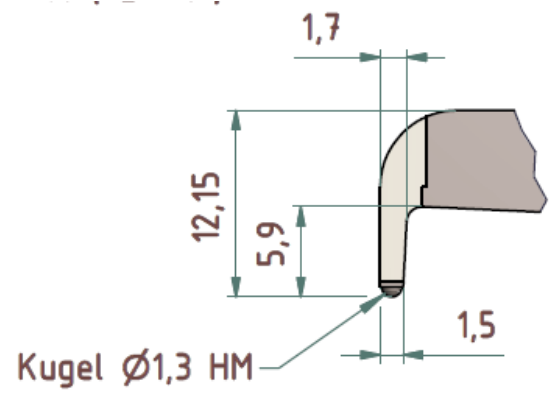
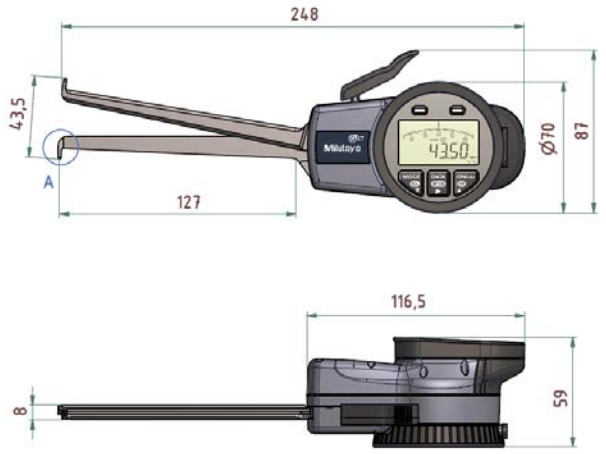
209-897	40-90 mm	209-902	40-90 mm	0,9-1,9 N	0,05 mm	0,05 mm	370 g
---------	----------	---------	----------	-----------	---------	---------	-------



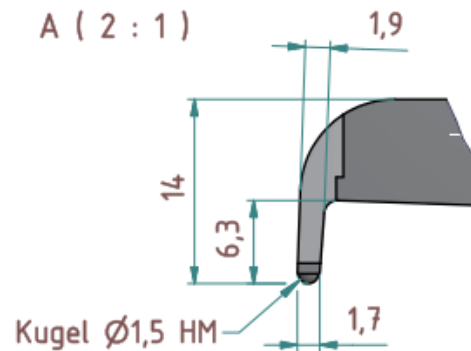
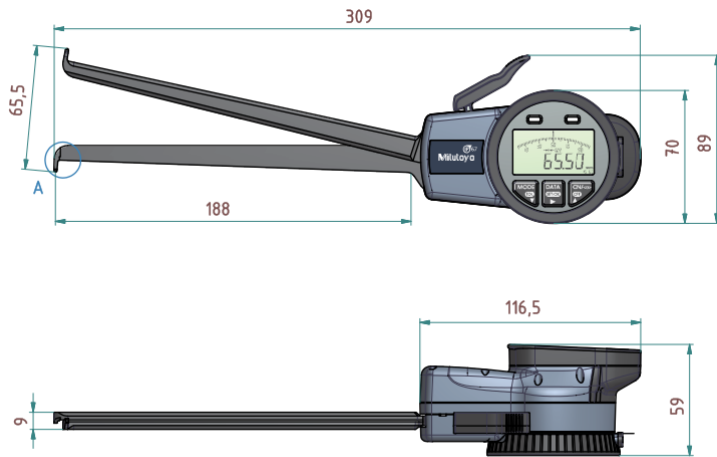
Old Type	Range	New Type	Range	Measuring Force	Graduation	Accuracy	Weight
209-898	70-120 mm	209-903	70-120 mm	0,9-1,9 N	0,05 mm	0,05 mm	380 g



209-505	15-55 mm	209-904	13-43 mm	1,2-1,7 N	0,02 mm	0,04 mm	360 g
---------	----------	---------	----------	-----------	---------	---------	-------

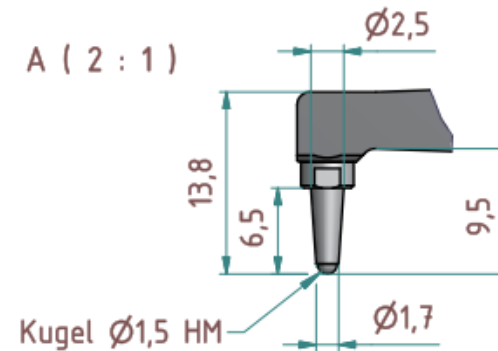
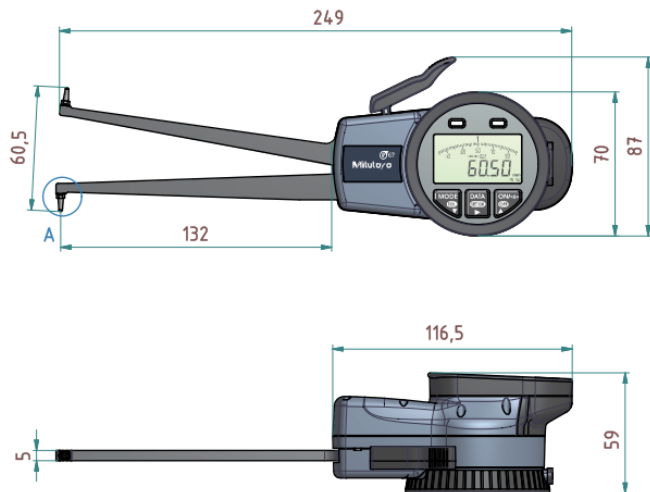


Old Type	Range	New Type	Range	Measuring Force	Graduation	Accuracy	Weight
209-516	15-75 mm	209-905	15-65 mm	1,0-1,8 N	0,02 mm	0,06 mm	415 g



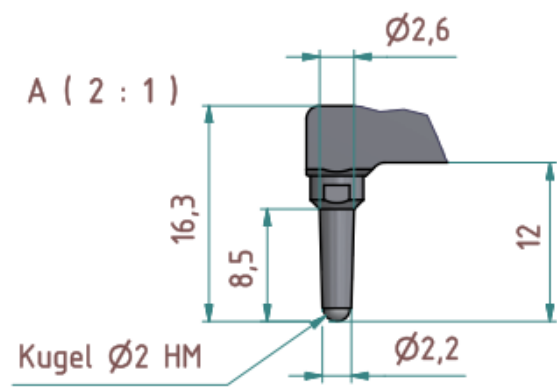
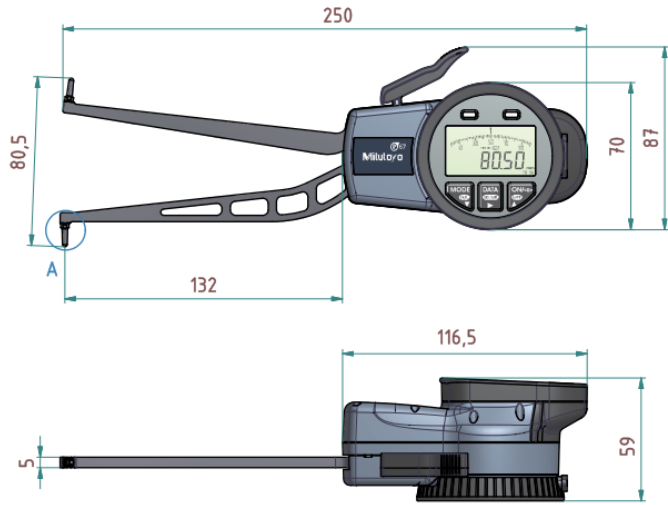
IP 67

209-511	35-75 mm	209-906	30-60 mm	1,2-1,7 N	0,02 mm	0,04 mm	370 g
---------	----------	---------	----------	-----------	---------	---------	-------

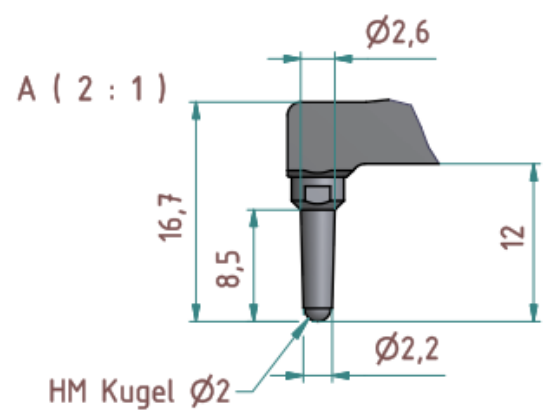
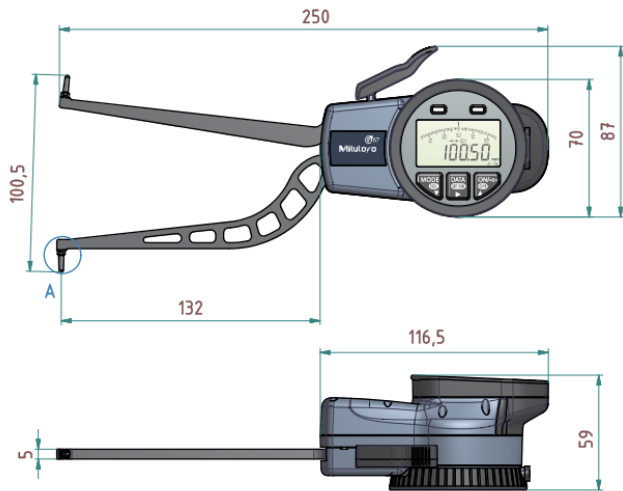


IP 67

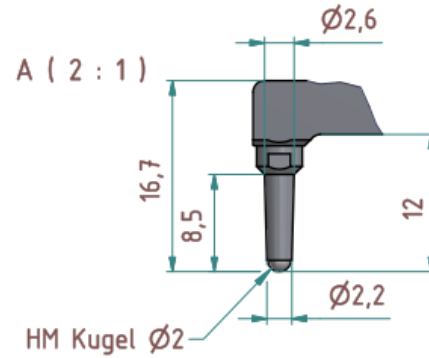
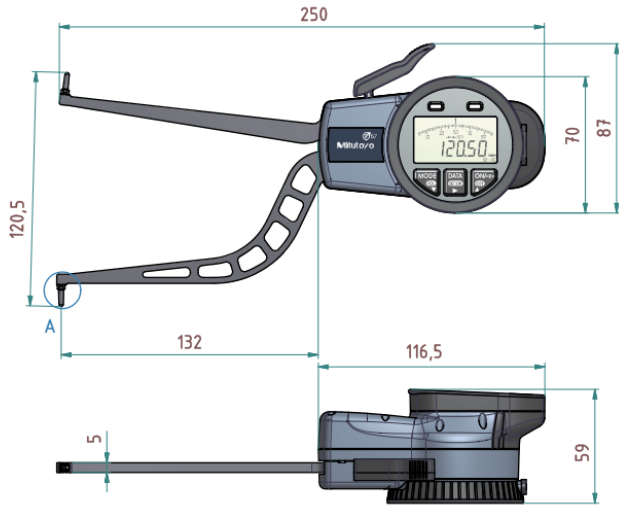
Old Type	Range	New Type	Range	Measuring Force	Graduation	Accuracy	Weight
209-513	55-95 mm	209-907	50-80 mm	1,2-1,7 N	0,02 mm	0,04 mm	370 g



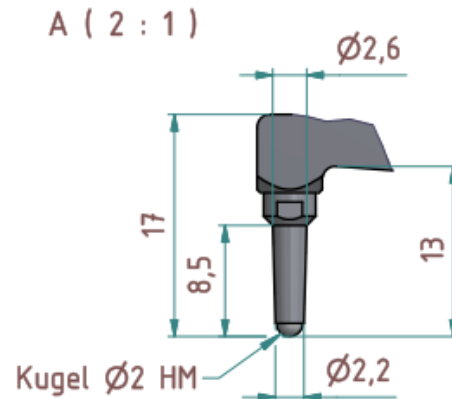
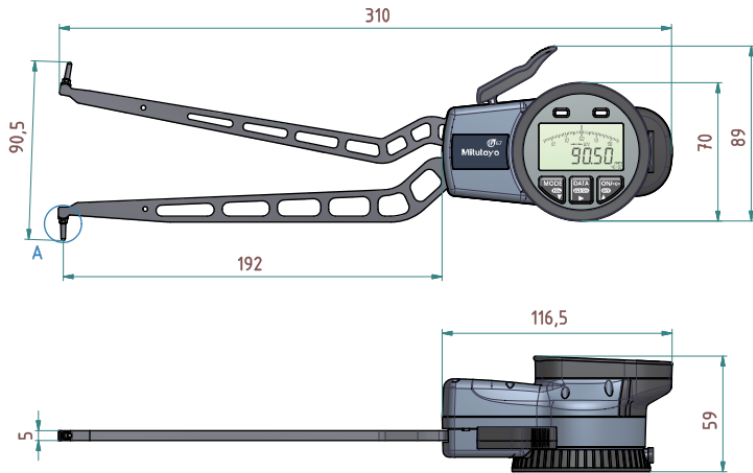
209-514	75-115 mm	209-908	70-100 mm	1,2-1,7 N	0,02 mm	0,04 mm	375 g
---------	-----------	---------	-----------	-----------	---------	---------	-------



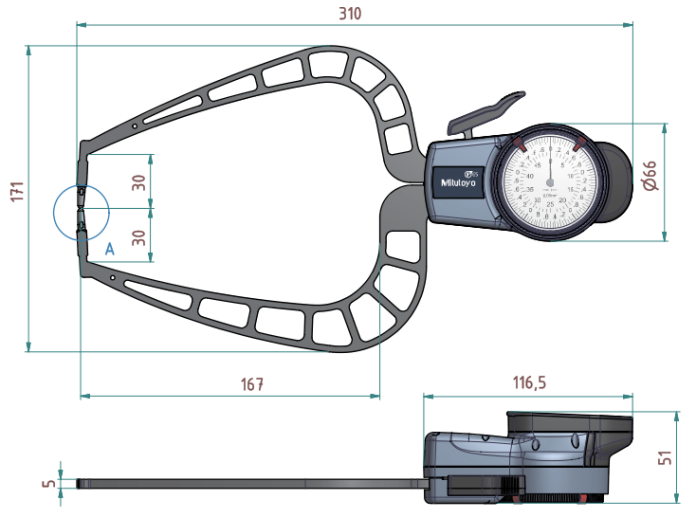
Old Type	Range	New Type	Range	Measuring Force	Graduation	Accuracy	Weight
209-515	95-135 mm	209-909	90-120 mm	1,2-1,7 N	0,02 mm	0,04 mm	380 g



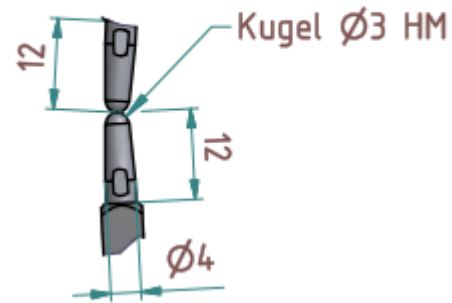
209-517	40-100 mm	209-910	40-90 mm	1,0-1,8 N	0,02 mm	0,06 mm	420 g
---------	-----------	---------	----------	-----------	---------	---------	-------



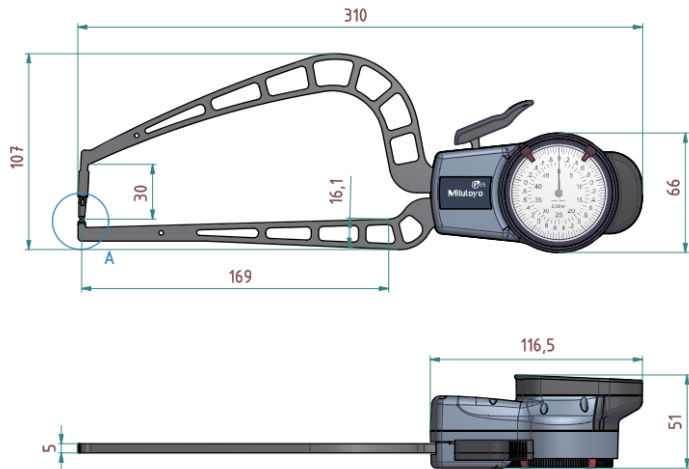
Old Type	Range	New Type	Range	Measuring Force	Graduation	Accuracy	Weight
209-602	0-50 mm	209-911	0-50 mm	0,8-1,7 N	0,05 mm	0,05 mm	430 g



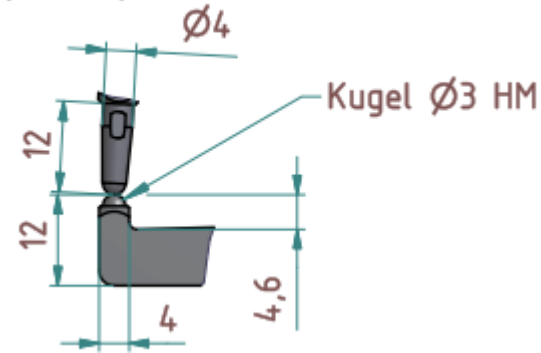
A (1:1)



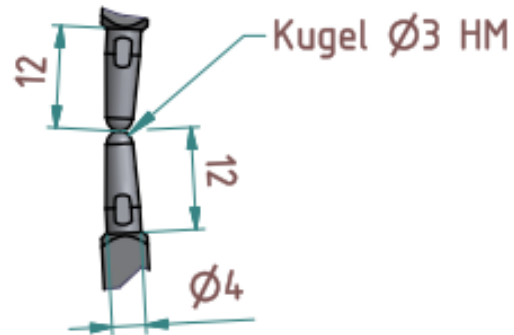
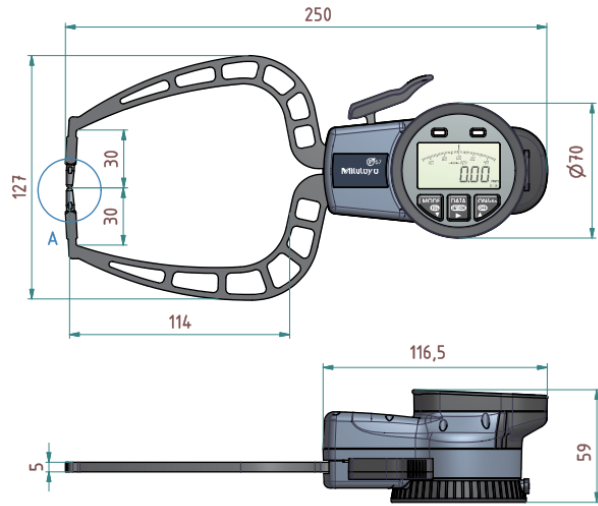
209-604	0-50 mm	209-912	0-50 mm	0,8-1,7 N	0,05 mm	0,05 mm	400 g
---------	---------	---------	---------	-----------	---------	---------	-------



A (1:1)

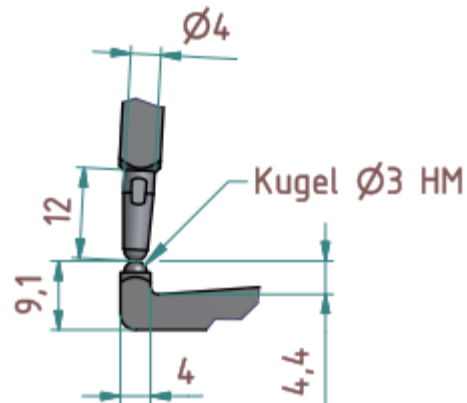
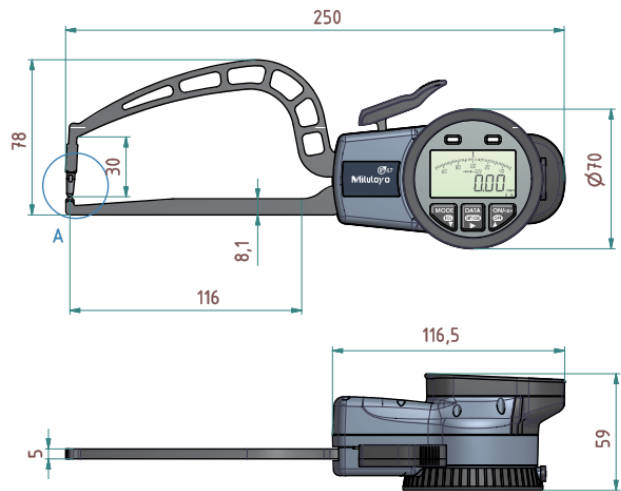


Old Type	Range	New Type	Range	Measuring Force	Graduation	Accuracy	Weight
209-531	0-40 mm	209-913	0-30 mm	0,9-1,6 N	0,02 mm	0,04 mm	430 g



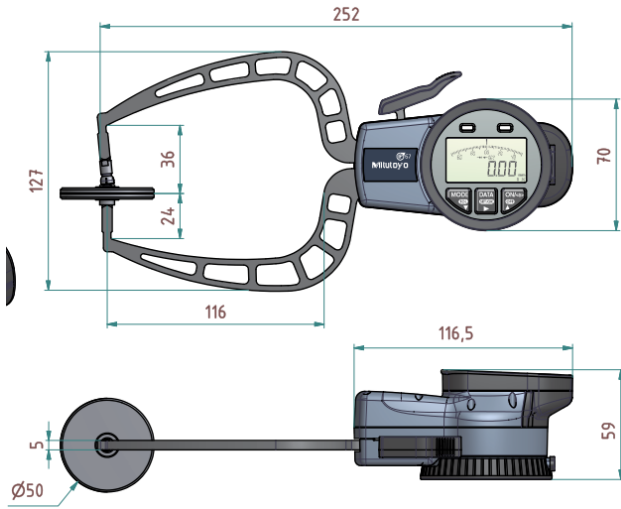
IP 67

209-532	0-40 mm	209-914	0-30 mm	0,9-1,6 N	0,02 mm	0,04 mm	410 g
---------	---------	---------	---------	-----------	---------	---------	-------

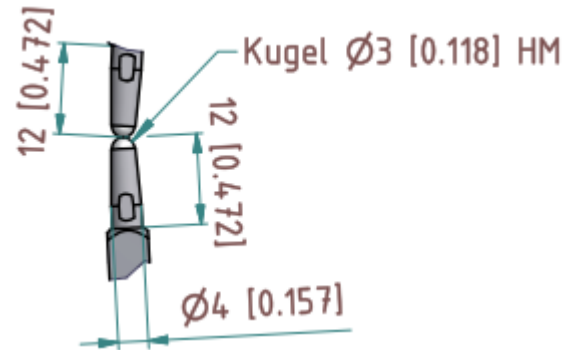
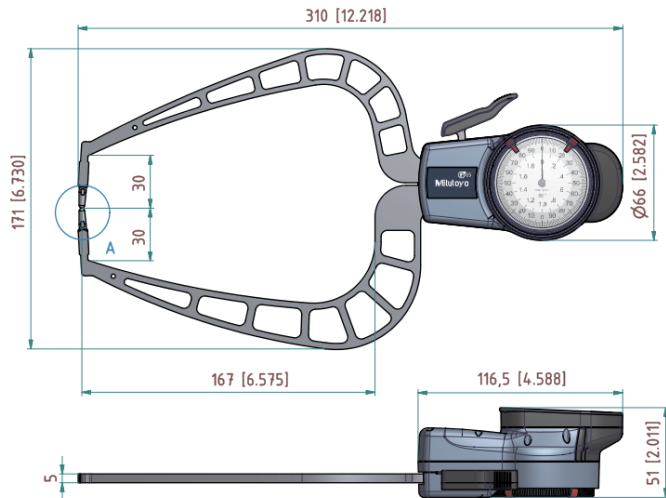


IP 67

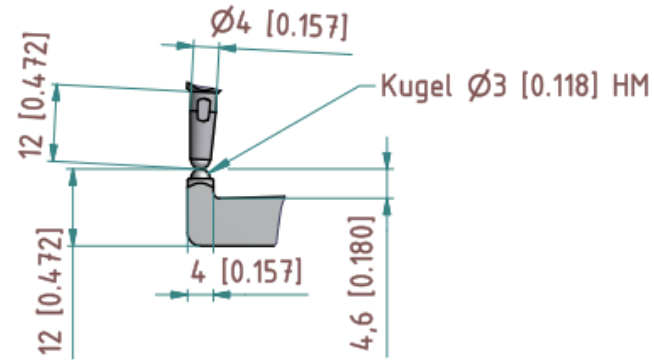
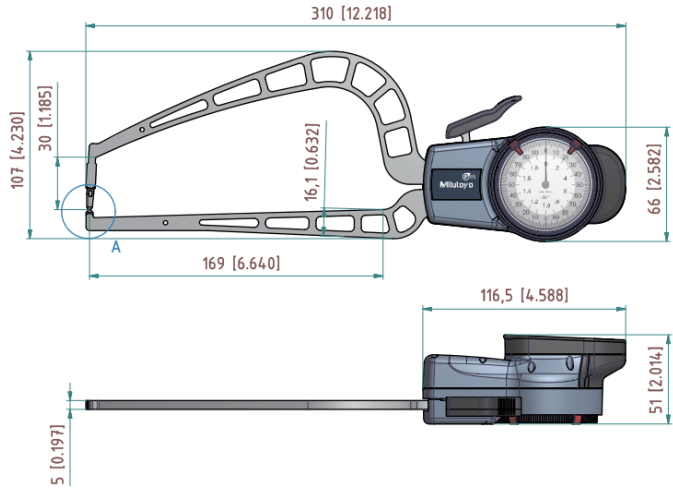
Old Type	Range	New Type	Range	Measuring Force	Graduation	Accuracy	Weight
209-533	0-40 mm	209-915	0-30 mm	0,9-1,6 N	0,02 mm	0,04 mm	430 g



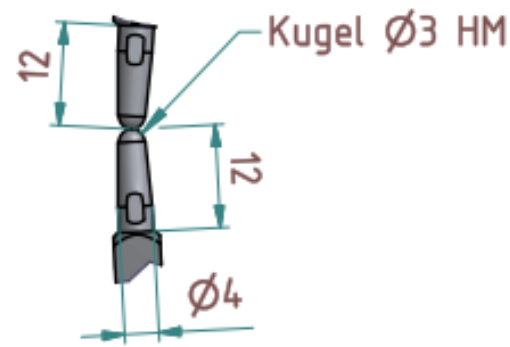
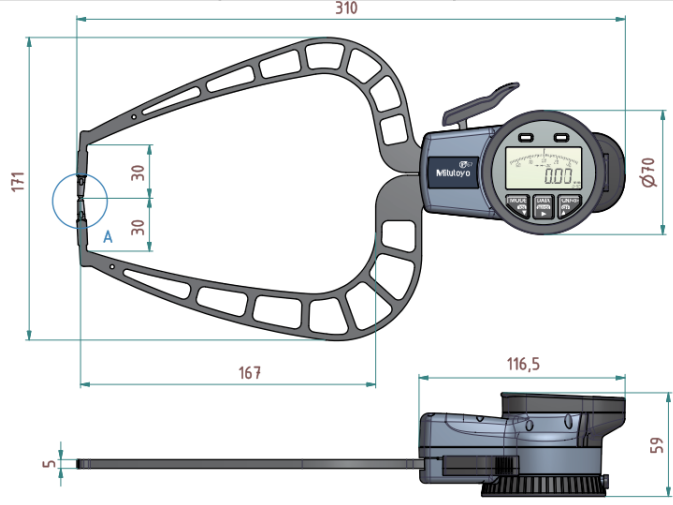
209-782	0-2" [0-50,8 mm]	209-916	0-2" [0-50,8 mm]	0,8-1,7 N	0,001" [0,02 mm]	0,002" [0,05 mm]	430 g
---------	------------------	---------	------------------	-----------	------------------	------------------	-------



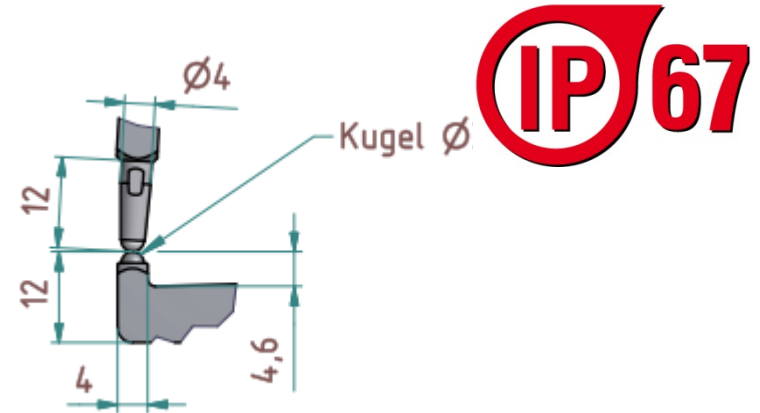
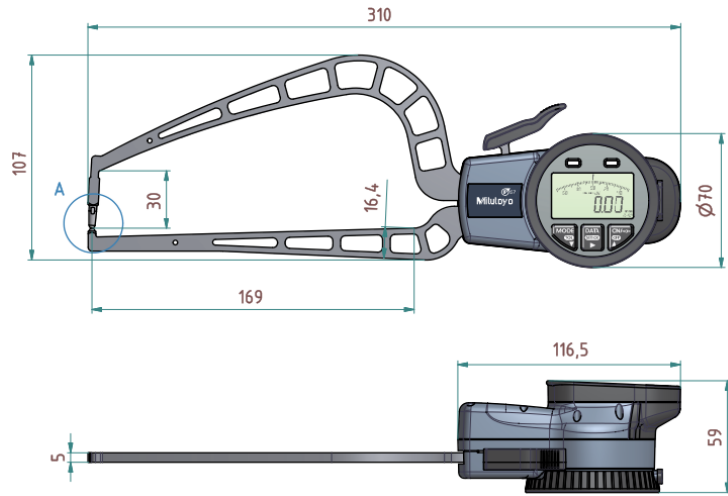
Old Type	Range	New Type	Range	Measuring Force	Graduation	Accuracy	Weight
209-783	15-65 mm	209-917	0-2" [0-50,8 mm]	0,8-1,7 N	0,001" [0,02 mm]	0,002" [0,05 mm]	400 g



209-534	0-60 mm	209-918	0-50 mm	0,8-1,7 N	0,02 mm	0,06 mm	490 g
---------	---------	---------	---------	-----------	---------	---------	-------



Old Type	Range	New Type	Range	Measuring Force	Graduation	Accuracy	Weight
209-535	0-60 mm	209-919	0-50 mm	0,8-1,7 N	0,02 mm	0,06 mm	460 g



209-536	0-60 mm	209-920	0-50 mm	0,8-1,7 N	0,02 mm	0,08 mm	500 g
---------	---------	---------	---------	-----------	---------	---------	-------

