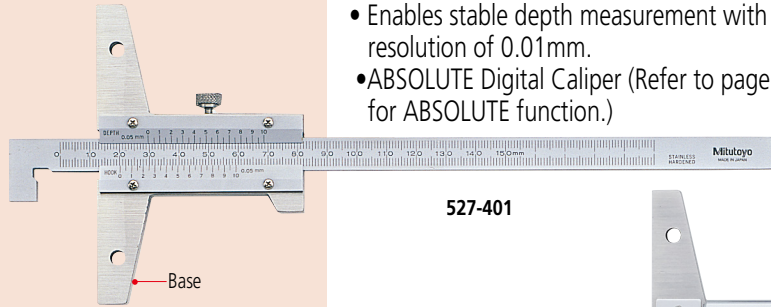


Depth Gage SERIES 527, 571 — Hook End Type

- The end of the main beam is hook-shaped to allow depth and thickness measurements of a projected portion or lip in a hole, in addition to standard depth measurement.
- Coolant proof models achieve IP67 protection level.
- Enables stable depth measurement with a resolution of 0.01mm.
- ABSOLUTE Digital Caliper (Refer to page D-8 for ABSOLUTE function.)
- Digital models display the compensation value by pressing the OFF switch to allow direct reading.
- Slider operation of the digital models is smooth and comfortable.
- Allows integration into statistical process control and measurement systems for models with measurement data output connector. Refer to page A-3.
- Battery: **SR44** (1 pc), **938882**. For initial operational checks (standard accessory)
- Battery life: Approx. 3 years under normal use (for digital models)
- Optional longer extension bases are available.



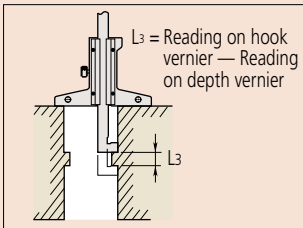
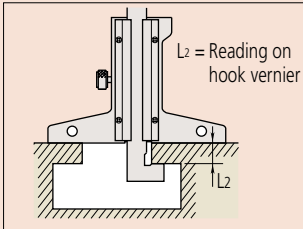
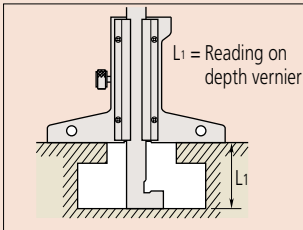
527-401



571-254-10



Applications



SPECIFICATIONS

Metric				
Order No.	Range: L1 (L2 and L3)	Resolution	Accuracy*	Base (WxT)
Digimatic (LCD)				
571-254-10**	10 - 160mm (0 - 150mm)	0.01mm	±0.03mm	100x6mm
571-255-10**	10 - 210mm (0 - 200mm)			
Analog				
527-401	10 - 150mm (0 - 150mm)	0.05mm	±0.05mm	100x6.5mm
527-402	10 - 200mm (0 - 200mm)		±0.08mm	
527-403	10 - 300mm (0 - 300mm)			

* Excluding quantizing error ** IP67 Coolant Proof model

Inch/Metric				
Order No.	Range: L1 (L2 and L3)	Resolution	Accuracy*	Base (WxT)
Digimatic (LCD)				
571-264-10	.4" - 6.4" (0 - 6")	.0005" / 0.01mm	±0.0015" / ±0.03mm	100x6mm
571-265-10	.4" - 8.4" (0 - 8")			

* Excluding quantizing error

Metric				
Order No.	Range: L1 (L2 and L3)	Vernier reading	Accuracy	Base (WxT)
Analog				
527-411	10 - 150mm (0 - 150mm)	0.02mm	±0.03mm	100x6.5mm
527-412	10 - 200mm (0 - 200mm)		±0.04mm	
527-413	10 - 300mm (0 - 300mm)			

Optional accessories for digital models

For details, refer to page A-21.

Connection cables for coolant proof models

05CZA624: SPC cable with data button (1m)

05CZA625: SPC cable with data button (2m)

USB Input Tool Direct

06ADCV380A: SPC cable for **USB-ITN-B** (2m)

Connecting cables for **U-WAVE-T**

02AZD790A: SPC cable for **U-WAVE** with data button (160mm)

02AZE140A: SPC cable for footswitch

DIMENSIONS

