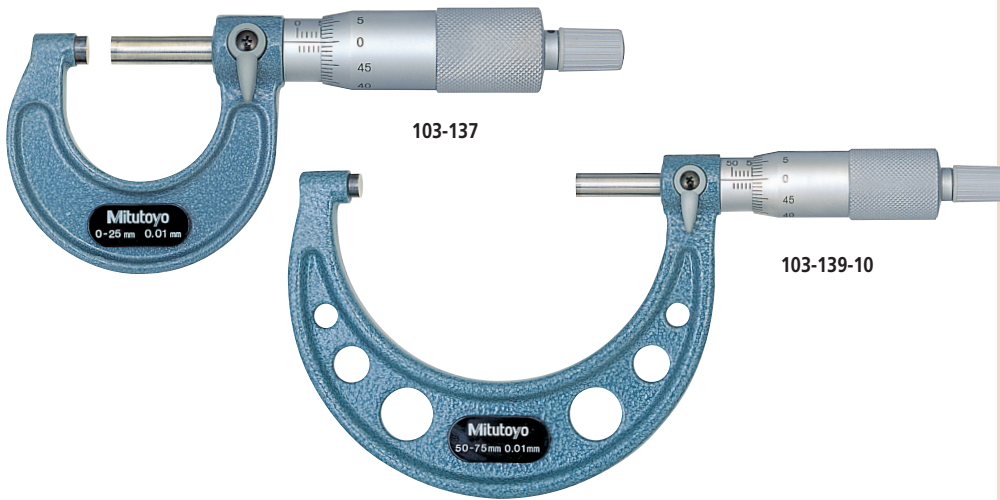


# Micrometer

The origin of Mitutoyo's trustworthy brand of small tool instruments

## Outside Micrometers SERIES 103

- Baked-enamel-finished frame.
- Measuring faces: Carbide
- Equipped with Ratchet Stop for constant measuring force.



An inspection certificate is supplied as standard. Refer to page X for details.

### Technical Data

Flatness: 0.6µm/.000024" for models up to 300mm/12"  
1µm/.00004" for models over 300mm/12"

Parallelism:

(2 + R/100) µm, R = max, range (mm)  
[.00008 + .00004 (R/4)]", R = max, range (inch)  
\*fraction rounded down

Standard accessories: Reference bar, 1 pc  
(except for measuring range 0-25mm (0-1") models)  
Spanner (301336), 1 pc  
(for maximum measuring range up to 300mm (12"))  
Spanner (200154), 1 pc  
(for maximum measuring range 325mm (13") or over)



103-904-10



103-905-10



103-906

Metric	With ratchet stop		
Order No.	Range	Graduation	Accuracy
103-137	0 - 25mm	0.01mm	±2µm
103-129		0.001mm	
103-138		0.01mm	
103-130		0.001mm	
103-139-10	50 - 75mm	0.01mm	±3µm
103-140-10	75 - 100mm		
103-141-10	100 - 125mm		
103-142-10	125 - 150mm		
103-143-10	150 - 175mm		±4µm
103-144-10	175 - 200mm		
103-145-10	200 - 225mm		
103-146-10	225 - 250mm		
103-147-10	250 - 275mm		±5µm
103-148-10	275 - 300mm		
103-149	300 - 325mm		
103-150	325 - 350mm		
103-151	350 - 375mm		±6µm
103-152	375 - 400mm		
103-153	400 - 425mm		
103-154	425 - 450mm		
103-155	450 - 475mm	±7µm	
103-156	475 - 500mm		
103-157	500 - 525mm		
103-158	525 - 550mm		
103-159	550 - 575mm	±8µm	
103-160	575 - 600mm		
103-161	600 - 625mm		
103-162	625 - 650mm		
103-163	650 - 675mm	±9µm	
103-164	675 - 700mm		
103-165	700 - 725mm		
103-166	725 - 750mm		
103-167	750 - 775mm	±10µm	
103-168	775 - 800mm		
103-169	800 - 825mm		
103-170	825 - 850mm		
103-171	850 - 875mm	±11µm	
103-172	875 - 900mm		
103-173	900 - 925mm		
103-174	925 - 950mm		
103-175	950 - 975mm	±12µm	
103-176	975 - 1000mm		
103-177	975 - 1000mm		
103-178	975 - 1000mm		

Inch	With ratchet stop		
Order No.	Range	Graduation	Accuracy
103-177	0 - 1"	.001"	±.0001"
103-131		.0001"	
103-178		.001"	
103-132		.0001"	
103-179	2" - 3"	.001"	±.00015"
103-180	3" - 4"		
103-181	4" - 5"		
103-182	5" - 6"		
103-183	6" - 7"		±.0002"
103-184	7" - 8"		
103-185	8" - 9"		
103-186	9" - 10"		
103-187	10" - 11"		±.00025"
103-188	11" - 12"		
103-189	12" - 13"		
103-190	13" - 14"		
103-191	14" - 15"		±.0003"
103-192	15" - 16"		
103-193	16" - 17"		
103-194	17" - 18"		
103-195	18" - 19"	±.00035"	
103-196	19" - 20"		
103-197	20" - 21"		
103-198	21" - 22"		
103-199	22" - 23"	±.0004"	
103-200	23" - 24"		
103-201	24" - 25"		
103-202	25" - 26"		
103-203	26" - 27"	±.00045"	
103-204	27" - 28"		
103-205	28" - 29"		
103-206	29" - 30"		
103-207	30" - 31"	±.0005"	
103-208	31" - 32"		
103-209	32" - 33"		
103-210	33" - 34"		
103-211	34" - 35"	±.00055"	
103-212	35" - 36"		
103-213	36" - 37"		
103-214	37" - 38"		
103-215	38" - 39"	±.0006"	
103-216	39" - 40"		
103-217	39" - 40"		
103-218	39" - 40"		

Inch	With friction thimble		
Order No.	Range	Graduation	Accuracy
103-135	0 - 1"	.0001"	±.0001"
103-136	1" - 2"		

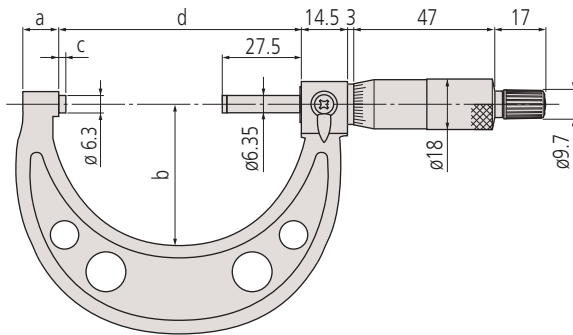
Metric Micrometer set / With ratchet thimble		
Order No.	Range	Models included
103-927-10	0 - 75mm (3 pcs./set)	103-137, 103-138, 103-139-10, 2 micrometer standards
103-913-50	0 - 150mm (6 pcs./set)	103-137, 103-138, 103-139-10, 103-140-10, 103-141-10, 103-142-10, 5 micrometer standards
103-915-10	150 - 300mm (6 pcs./set)	103-143-10, 103-144-10, 103-145-10, 103-146-10, 103-147-10, 103-148-10, 6 micrometer standards
103-914-50	0 - 300mm (12 pcs./set)	All micrometers of 103-913-50 and 103-915-10 in one set, 11 micrometer standards

Inch Micrometer set / With ratchet thimble		
Order No.	Range	Models included
103-929	0 - 3" (3 pcs./set)	103-177, 103-178, 103-179, 2 micrometer standards
103-930	0 - 4" (4 pcs./set)	103-177, 103-178, 103-179, 103-180, 3 micrometer standards
103-904-10	0 - 6" (6 pcs./set)	103-177, 103-178, 103-179, 103-180, 103-181, 103-182, 5 micrometer standards
103-906	6" - 12" (6 pcs./set)	103-183, 103-184, 103-185, 103-186, 103-187, 103-188, 6 micrometer standards
103-905-10	0 - 12" (12 pcs./set)	All micrometers of 103-904-10 and 103-906 in one set, 11 micrometer standards

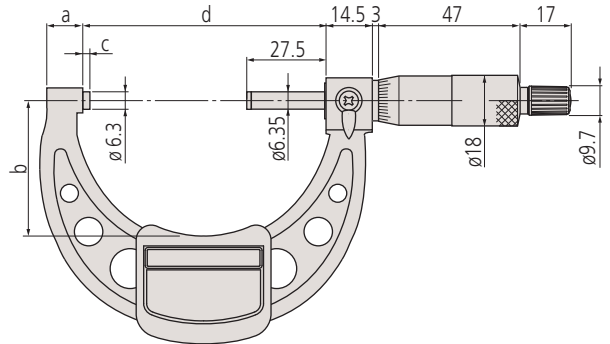
### DIMENSIONS

Unit: mm

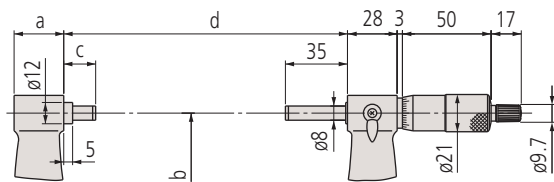
Models up to 75mm measuring range



Models 75mm to 300mm



Models over 300mm measuring range



Range	a	b	c	d
0 - 25mm	9	28	2.5	30
25 - 50mm	10	38		55
50 - 75mm	12	47		80
75 - 100mm	14	58		105
100 - 125mm	16.7	77	5.3	132.8
125 - 150mm	18.8	92	5.7	158.2
150 - 175mm	19.1	104	6.1	183.6
175 - 200mm	18.2	115	6.3	208.8
200 - 225mm	16.8	128	6.7	234.2
225 - 250mm	18	141	5.5	258

Range	a	b	c	d
250 - 275mm	18	153	6.5	284
275 - 300mm		166		309
300 - 325mm		187		353
325 - 350mm		199		378
350 - 375mm	28	212	18	403
375 - 400mm		224		428
400 - 425mm		236		453
425 - 450mm		248		478
450 - 475mm		261		503
475 - 500mm		273		528

Range	a	b	c	d
500 - 525mm	28	307	40	575
525 - 550mm			15	
550 - 575mm		332	40	625
575 - 600mm			15	
600 - 625mm		355	40	675
625 - 650mm			15	
650 - 675mm		382	40	725
675 - 700mm			15	
700 - 725mm		405	40	775
725 - 750mm			15	
750 - 775mm		430	40	825
775 - 800mm			15	
800 - 825mm	455	40	875	
825 - 850mm		15		
850 - 875mm	480	40	925	
875 - 900mm		15		
900 - 925mm	505	40	975	
925 - 950mm		15		
950 - 975mm	530	40	1025	
975 - 1000mm		15		