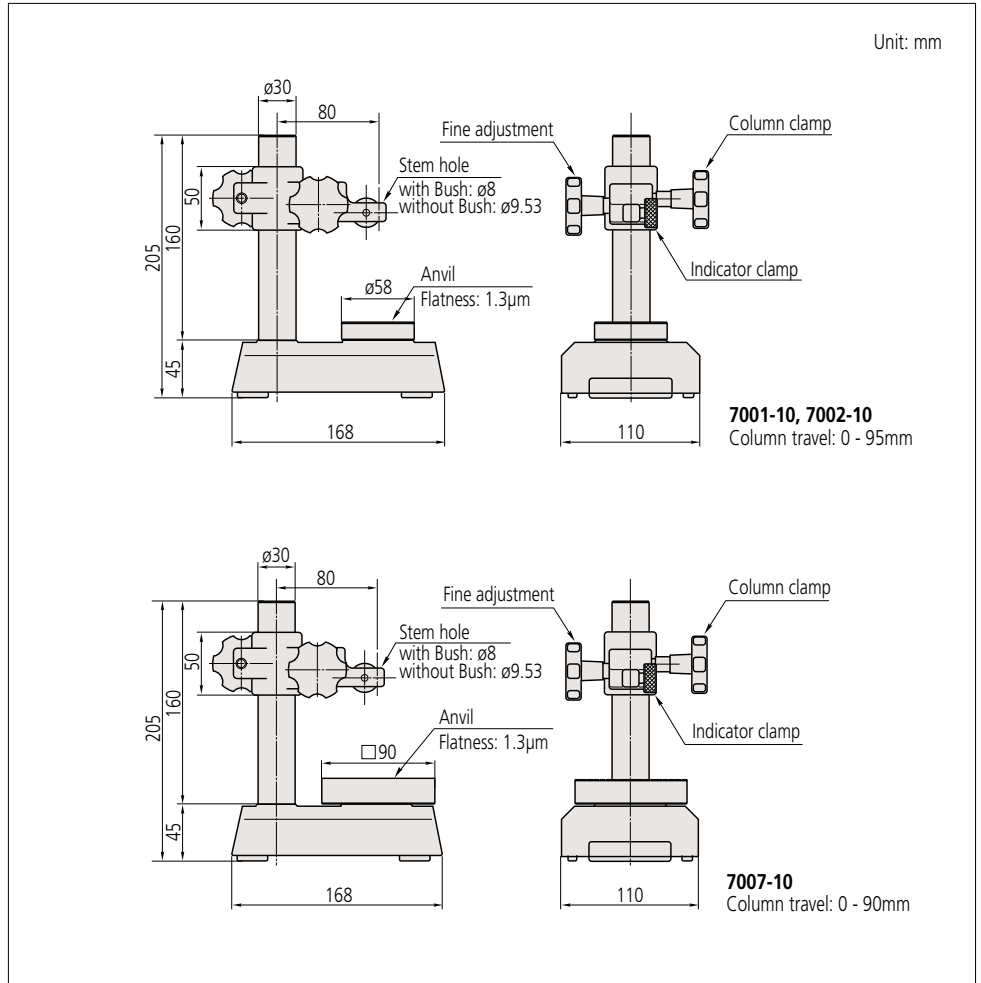


## DIMENSIONS



## SPECIFICATIONS

Metric		
Order No.	Stem hole	Remarks
7001-10	ø8mm, ø9.53mm	With serrated anvil
7002-10	ø8mm, ø9.53mm	With flat anvil
7007-10	ø8mm, ø9.53mm	With square anvil

\* Perpendicularity of the mounting hole to the anvil: less than 0.4mm/100mm

\* Take note that when mounting the high-accuracy Linear Gages (with resolution of 0.1µm or less) to these stands, it may affect the indication value depends on the perpendicularity of the mounting hole to the top surface of the anvils.

## Optional Accessories

**101462:** Hardened steel serrated anvil



**101461:** Hardened steel flat anvil



**101463:** Hardened steel domed anvil\*  
\*Not available for 7007-10.

