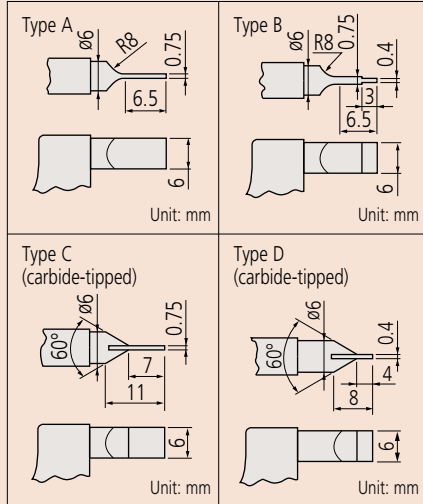


Technical Data

Parallelism
 3µm for models up to 75mm
 .00015" for models up to 3"
 (3+R/100)µm for models over 75mm
 .0002" for models over 3"
 R = max. range (mm)
 fraction rounded up

Type and Dimensions



Battery for series 422

SR44 (1 pc), 938882, for initial operational checks (standard accessory)
 Battery life: Approx. 2.4 years under normal use (for series 422-2XX, 3XX)
 Approx. 1 year under normal use (for series 422-4XX)

Length standard: Electromagnetic rotary sensor (for series 422-2XX, 3XX)
 Electrostatic capacity absolute sensor (for series 422-4XX)

Standard accessories: Reference bar, 1 pc (except for measuring range 0-25mm/0-30mm (0-1"/0-1.2") models)
 Spanner (301336), 1 pc (for series 122-1XX, 422-2XX, 3XX)

Optional accessories

Connecting cables for digital models

1m: **05CZA662**
 2m: **05CZA663**

USB Input Tool Direct

USB-ITN-B (2m): **06ADV380B**

Connecting cables for **U-WAVE-T** (digital models)

02AZD790B (160mm)

For foot switch: **02AZE140B**

Connecting cables for Quickmike type

1m: **937387**

2m: **965013**

USB Input Tool Direct

USB-ITN-E (2m): **06ADV380E**

Connecting cables for **U-WAVE-T** (Quickmike type)

02AZD790E 160mm

For foot switch: **02AZE140E**

Refer to page B-68 for details.

Blade Micrometers SERIES 422, 122 — Non-Rotating Spindle Type

- The anvil and spindle are blade-shaped for measuring the groove diameter of shafts, keyways, and other hard-to-reach features.
- Carbide-tipped measuring faces are also available.
- Non-rotating spindle type.
- Equipped with Ratchet Stop for constant measuring force.



Digimatic (LCD)
422-230-30



122-101



Quickmike Type (LCD)
422-411



ABSOLUTE™

SPECIFICATIONS

Metric				
Order No.	Range	Resolution	Accuracy*	Remark
Digimatic (LCD)				
422-230-30	0 - 25mm	0.001mm	±3µm	Type A
422-231-30	25 - 50mm			
422-232-30	50 - 75mm			
422-233-30	75 - 100mm		±4µm	Type B
422-260-30	0 - 25mm			
422-261-30	25 - 50mm			
422-270-30	0 - 25mm	±3µm	Type C	
422-271-30			Type D	

* Excluding quantizing error

Metric Quickmike type				
Order No.	Range	Resolution	Accuracy*	Remark
Digimatic (LCD)				
422-411	0 - 30mm	0.001mm	±3µm	Type A
422-412	25 - 55mm			

* Excluding quantizing error

Metric				
Order No.	Range	Graduation	Accuracy	Remark
Analog				
122-101	0 - 25mm	0.01mm	±3µm	Type A
122-102	25 - 50mm			
122-103	50 - 75mm			
122-104	75 - 100mm		±4µm	
122-105	100 - 125mm			
122-106	125 - 150mm			
122-107	150 - 175mm	±5µm		
122-108	175 - 200mm			
122-109	200 - 225mm			
122-110	225 - 250mm	±6µm		
122-115	250 - 275mm			
122-116	275 - 300mm			
122-111	0 - 25mm	0.01mm	±3µm	Type B
122-112	25 - 50mm			Type D
Analog (With carbide tip)				
122-161	0 - 25mm	0.01mm	±3µm	Type C
122-162	25 - 50mm			
122-141	0 - 25mm	0.01mm	±3µm	Type D
122-142	25 - 50mm			

Notes: 1) A heat shield is provided with Digimatic models and **422-230-30** as standard.

Inch/Metric				
Order No.	Range	Resolution	Accuracy*	Remark
Digimatic (LCD)				
422-330-30	0 - 1"	.0005"/ 0.001mm	±.00015"	Type A
422-331-30	1" - 2"			
422-332-30	2" - 3"			
422-333-30	3" - 4"		±.0002"	Type B
422-360-30	0 - 1"			
422-361-30	1" - 2"			
422-370-30	0 - 1"	±.00015"	Type C	
422-371-30			Type D	

* Excluding quantizing error

Inch/Metric Quickmike type				
Order No.	Range	Resolution	Accuracy*	Remark
Digimatic (LCD)				
422-421	0 - 1.2"	.00005"/ 0.001mm	±.00015"	Type A

* Excluding quantizing error

Inch						
Order No.	Range	Graduation	Accuracy	Remark		
Analog						
122-125	0 - 1"	.0001"	±.00015"	Type A		
122-126	1" - 2"					
122-127	2" - 3"					
122-128	3" - 4"		±.0002"		Type B	
122-135	0 - 1"					±.00015"
122-151						