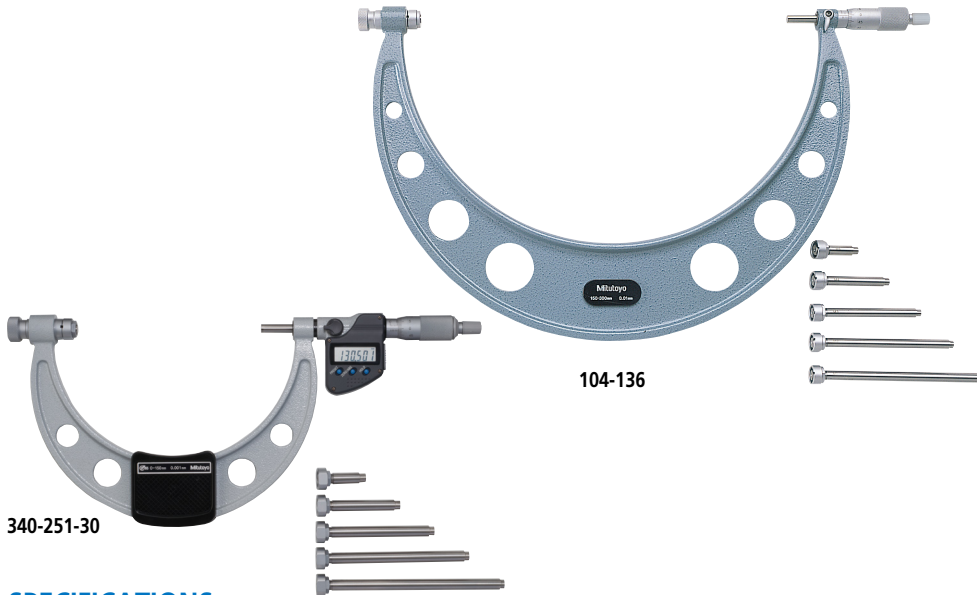


Micrometer

The origin of Mitutoyo's trustworthy brand of small tool instruments

Outside Micrometers SERIES 340, 104 — with Interchangeable Anvils

- Wide measuring range with interchangeable anvils.
- Measuring face of the spindle is carbide tipped (standard model).
- IP 65 water/dust protection (series 340).
* Models with a measuring range up to 300mm.
- Equipped with Ratchet Stop for constant measuring force.



These marks indicate that a product has successfully passed IP65-level testing, which is carried out by the independent German certification organization TÜV Rheinland.



IP Codes (series 340)

- Level 6: Dust -proof.
No ingress of dust allowed.
- Level 5: Protected against water jets.
Water projected in jets against the enclosure from any direction shall have no harmful effects.

Technical Data

Flatness:
0.6µm/ .000024" for models up to 300mm/ 12"
1.0µm/ .00004" for models over 300mm/ 12"

Parallelism:
2µm/ .00008" for models up to 75mm/ 3"
3µm/ .00012" for models up to 150mm/ 6"
(2+R/100)µm for models over 150mm,
R=max. range (mm)
Fraction rounded up
±[.00008" + .00004 (R/4)]" For models over 6"
R= max. range (inch)
Fraction rounded up
Accuracy:
±(4+R/75)µm, R = max. range (mm)
±[.00016" + .00004(R/3)]" R = max. range (inch)
(excluding quantizing error for digital models)
Fraction rounded up
Excluding quantizing error

SPECIFICATIONS

Metric							
Order No.	Range	Resolution	Interchangeable anvils	Setting Standard		Micrometer head stroke	
				Qty	Size		
Digimatic (LCD)							
340-251-30	0 - 150mm	0.001mm	6pcs.	5	25-125mm	25mm	
340-252-30	150 - 300mm			6	150-275mm		
340-520	300 - 400mm			4pcs.	4		300-375mm
340-521	400 - 500mm						400-475mm
340-522	500 - 600mm						500-575mm
340-523	600 - 700mm						600-675mm
340-524	700 - 800mm		700-775mm				
340-525	800 - 900mm		800-875mm				
340-526	900 - 1000mm		900-975mm				

Metric										
Order No.	Range	Graduation	Interchangeable anvils	Setting Standard		Micrometer head stroke				
				Qty	Size					
Analog										
104-171*	0 - 50mm	0.01mm	1pcs.	1	25mm	25mm				
104-139A	0 - 100mm						4pcs.	3	25-75mm	
104-135A	0 - 150mm									6pcs.
104-161A	50 - 150mm		4pcs.	4	50-125mm					
104-140A	100 - 200mm						6pcs.	6	100-175mm	
104-136A	150 - 300mm		4pcs.	4	150-275mm					
104-141A	200 - 300mm						200-275mm			
104-142A	300 - 400mm							300-375mm		
104-143A	400 - 500mm								400-475mm	
104-144A	500 - 600mm						500-575mm			
104-145A	600 - 700mm						600-675mm			
104-146A	700 - 800mm						700-775mm			
104-147A	800 - 900mm						800-875mm			
104-148A	900 - 1000mm						900-975mm			

* The frame is fitted with a heat shield.

Inch/Metric									
Order No.	Range	Resolution	Interchangeable anvils	Setting Standard		Micrometer head stroke			
				Qty	Size				
Digimatic (LCD)									
340-251-30	0 - 6"	.00005"/ 0.001mm	6pcs.	5	1" - 5"	1"			
340-252-30	6" - 12"	.0001"/ 0.001mm					6	6"	6" - 11"
340-720	12" - 18"								12" - 17"
340-721	18" - 24"			18" - 23"					
340-722	24" - 30"			24" - 29"					
340-723	30" - 36"			30" - 35"					

Inch											
Order No.	Range	Interchangeable anvils	Graduation	Setting Standard		Micrometer head stroke					
				Qty	Size						
Analog											
104-165	0 - 2"	1pcs.	.0001"	.001"	1"	1"					
104-149	0 - 4"	4pcs.	3		1" - 3"						
104-137	0 - 6"	6pcs.					5	1" - 5"			
104-162	2" - 6"	4pcs.							4	2" - 5"	
104-150	4" - 8"		6		6"						6" - 11"
104-138	6" - 12"	4pcs.							4	8" - 11"	
104-151	8" - 12"										
104-152	12" - 16"	4	6		12" - 17"						
104-201	12" - 18"						4	16"	16" - 19"		
104-153	16" - 20"	6	18"		18" - 23"						
104-202	18" - 24"									4	20"
104-154	20" - 24"	4	24"		24" - 27"						
104-155	24" - 28"						6	24"	24" - 29"		
104-203	24" - 30"	4	28"		28" - 31"						
104-156	28" - 32"									6	30"
104-204	30" - 36"	4	32"		32" - 35"						
104-157	32" - 36"						6	36"	36" - 39"		
104-158	36" - 40"	4	36"		36" - 41"						
104-205	36" - 42"			6pcs.		6					