

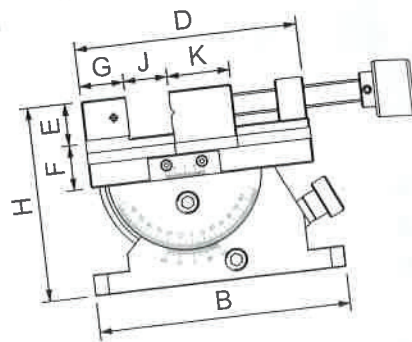
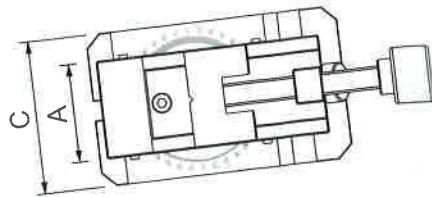


35042

雙向精密虎鉗 PRECISION UNIVERSAL VISE



- 平行度: 100mm/0.02mm內。
- 垂直度: 100mm/0.02mm內。
- Parallelism within 100mm/0.02mm.
- Squareness within 100mm/0.02mm.



- 適合精密平磨、搪銑床、放電加工機等之平面或傾斜面及角度斜孔加工。
- 角度調整簡易，刻度精確，可雙向同時調整成複合式角度，適合精密角度加工。
- 水平方向可旋轉360°，垂直方向可左、右傾斜45°。
- Precision graduation for accurate reading.
- Horizontal swivel through 360°，tilting angle 45° vertically.
- Suitable for inclined surface, angular drilling machining on various machine tools.

單位: mm

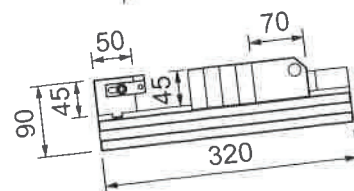
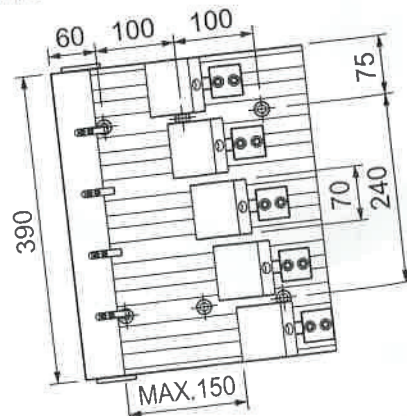
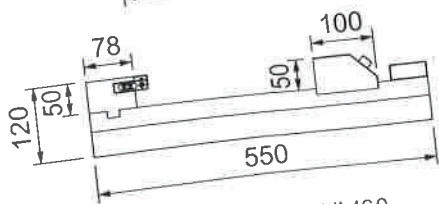
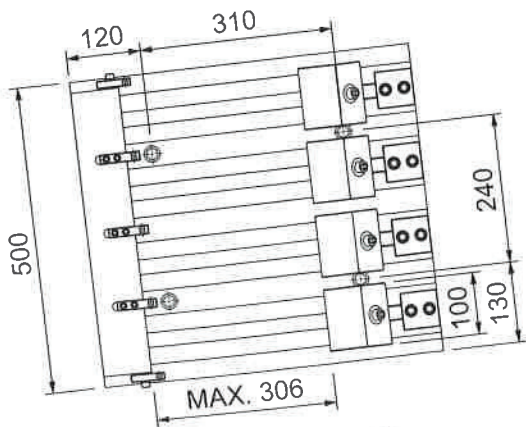
訂購編號 Order No.	型號 Model	A	B	C	D	E	F	G	H	J	K	重量(kg) Weight
35042-80	MCL-AP80	70	180	109	163	30	32	32	138.5	80	45	12
35042-90	MCL-AP120	120	300	180	286	40	50	53.5	211.5	150	70	53

35043

精密連體虎鉗 DRILL PRESS ANGLE VISE



- 連體併列式虎鉗，適用NC銑床機械，可同時夾持數個大小相同或不
- 同的工件加工。
- 本體鋼材一體成型製造，鋼性強精密度高。
- 活動式虎口壓板設計，可隨意快速移動調整夾持位置。
- Precision compact parallel vise, suit for NC milling machine and can
- clip several different sizes and workpiece to extra work at same time.
- The body steel mated unity, copper is strong and higher precision.
- The moving clamp can arbitrary and fast moving to adjust the
- clamping position.
- 平行度: 100mm/0.005mm內。
- 垂直度: 100mm/0.01mm內。
- Parallelism within 100mm/0.005mm.
- Squareness within 100mm/0.01mm.



● 35043-60 MCL-HM60

● 35043-38 MCL-HM38