

## SPECIFICATIONS

Metric					Inch				
Order No.	Range	Graduation	Accuracy*1	Extension Rod (optional)	Order No.	Range	Graduation	Accuracy*1	Extension Rod (optional)
(Two-point) <b>368-001</b>	2 - 2.5mm	0.001mm	±2μm (within 2μm)	—	(Two-point) <b>368-021</b>	.08" - .1"	.0001"	±.0001" (within .0001")	—
<b>368-002</b>	2.5 - 3mm				<b>368-022</b>	.1" - .12"			
<b>368-003</b>	3 - 4mm				<b>368-023</b>	.12" - .16"			
<b>368-004</b>	4 - 5mm				<b>368-024</b>	.16" - .2"			
<b>368-005</b>	5 - 6mm				<b>368-025</b>	.2" - .24"			
		<b>368-026</b>	.24" - .28"						
(Three-point) <b>368-161</b>	6 - 8mm	0.005mm	±3μm (within 3μm)	<b>952322</b> (100mm)	(Three-point) <b>368-261</b>	.275" - .35"	.0002"	±.00015" (within .00015")	<b>952322</b> (100mm)
<b>368-162</b>	8 - 10mm				<b>368-262</b>	.35" - .425"			
<b>368-163</b>	10 - 12mm				<b>368-263</b>	.425" - .5"			
<b>368-164</b>	12 - 16mm				<b>368-264</b>	.5" - .65"			
<b>368-165</b>	16 - 20mm				<b>368-265</b>	.65" - .8"			
<b>368-166</b>	20 - 25mm				<b>368-266</b>	.8" - 1"			
<b>368-167</b>	25 - 30mm				<b>368-267</b>	1" - 1.2"			
<b>368-168</b>	30 - 40mm				<b>368-268</b>	1.2" - 1.6"			
<b>368-169</b>	40 - 50mm				<b>368-269</b>	1.6" - 2"			
<b>368-170</b>	50 - 63mm				<b>368-270</b>	2" - 2.5"			
<b>368-171</b>	62 - 75mm	0.002"	±5μm (within 5μm)	<b>952623</b> (150mm)	<b>368-271</b>	2.5" - 3"	±.00025" (within .00025")	<b>952623</b> (150mm)	
<b>368-172</b>	75 - 88mm				<b>368-272</b>	3" - 3.5"			
<b>368-173</b>	87 - 100mm				<b>368-273</b>	3.5" - 4"			
<b>368-174</b>	100 - 125mm				<b>368-274</b>	4" - 5"			
<b>368-175</b>	125 - 150mm				<b>368-275</b>	5" - 6"			
<b>368-176</b>	150 - 175mm				<b>368-276</b>	6" - 7"			
<b>368-177</b>	175 - 200mm				<b>368-277</b>	7" - 8"			
<b>368-178</b>	200 - 225mm				<b>368-278</b>	8" - 9"			
<b>368-179</b>	225 - 250mm				<b>368-279</b>	9" - 10"			
<b>368-180</b>	250 - 275mm				<b>368-280</b>	10" - 11"			
<b>368-181</b>	275 - 300mm		<b>368-281</b>	11" - 12"					

\*1 Excluding quantizing error.

Accuracy: values measured across the entire measuring face.

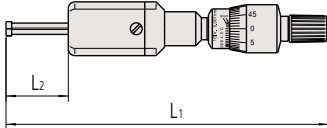
Maximum difference: differences between the maximum and minimum values.

\* Setting ring and extension rod: optional.

\* It is not advisable to use measuring heads other than as supplied as a standard accessory, or widen a measuring range by using any other multiple sub-measuring heads. (The measuring accuracy in such cases is not guaranteed.)

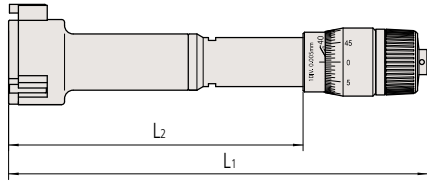
## DIMENSIONS

Unit: mm



Range	L <sub>2</sub>	L <sub>1</sub>
2 - 2.5, 2.5 - 3mm	12	103.5 - 104
3 - 4, 4 - 5, 5 - 6mm	22	113 - 114

External appearance differs depending on the measuring range.



Range	L <sub>2</sub>	L <sub>1</sub>
6 - 8, 8 - 10, 10 - 12mm	59	102 - 104
12 - 16, 16 - 20mm	82	126 - 130
20 - 25, 25 - 30mm	94	137 - 142
30 - 40, 40 - 50mm	102	145 - 155
50 - 63, 62 - 75, 75 - 88, 87 - 100mm	105	150 - 163
100 - 125, 125 - 150, 150 - 175, 175 - 200, 200 - 225, 225 - 250, 250 - 275, 275 - 300mm	161	227 - 252

External appearance differs depending on the measuring range.