

Technical Data

Accuracy: $\pm 0.05\text{mm}$ ($\leq 200\text{mm}$), $\pm 0.08\text{mm}$ ($\leq 300\text{mm}$)
 $\pm 0.10\text{mm}$ ($\leq 600\text{mm}$), $\pm 0.15\text{mm}$ ($\leq 1000\text{mm}$)
 High accuracy type:
 $\pm 0.03\text{mm}$ ($\leq 200\text{mm}$), $\pm 0.04\text{mm}$ ($\leq 300\text{mm}$)
 Graduation: 0.05mm , 0.05mm ($1/128''$) or $.001''$ ($1/128''$)
 High accuracy type:
 0.02mm or 0.02mm ($.001''$)

SPECIFICATIONS

Metric				
Order No.	Range	Depth bar	Remarks	
530-100	0 - 100mm	ø1.9mm rod	—	
530-102			—	
530-101	0 - 150mm	Blade	—	
530-320			Carbide-tipped jaws for outside measurement	
530-335			Carbide-tipped jaws for outside and inside measurement	
530-122*			High accuracy model: $\pm 0.03\text{mm}$	
530-108			—	
530-321	0 - 200mm	Blade	Carbide-tipped jaws for outside measurement	
530-123*			High accuracy model: $\pm 0.03\text{mm}$	
530-109			—	
530-322	0 - 300mm	Blade	Carbide-tipped jaws for outside measurement	
530-124*			High accuracy model: $\pm 0.04\text{mm}$	
530-501	0 - 600mm	—	—	
530-502	0 - 1000mm	—	—	

* Graduation: 0.02mm

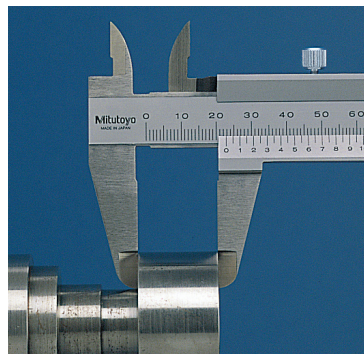
Metric/Inch with metric/inch double scale				
Order No.	Range	Depth bar	Inch graduation	Remarks
530-104	0 - 150mm	Blade	1/128"	—
530-316			1/128"	Clamping screw below the slider
530-312*			.001"	High accuracy model: $\pm 0.03\text{mm}$
530-114	0 - 200mm	Blade	1/128"	—
530-118*			.001"	High accuracy model: $\pm 0.03\text{mm}$
530-115	0 - 300mm	Blade	1/128"	—
530-119*			.001"	High accuracy model: $\pm 0.04\text{mm}$

* Graduation: 0.02mm

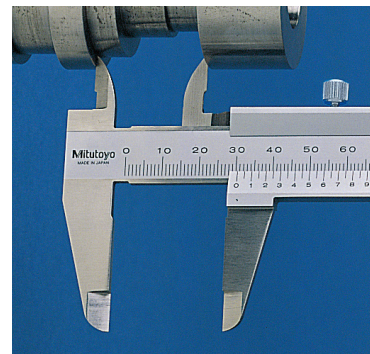
Inch with inch/inch double scale				
Order No.	Range	Depth bar	Inch graduation	Remarks
530-105	0 - 6"	Blade	1/128"	—
530-116	0 - 8"			

Measurement Applications

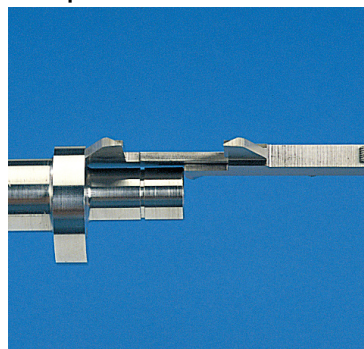
1. Outside measurement



2. Inside measurement



3. Step measurement



4. Depth measurement

