

Handheld Digital Tachometer

HT-5500



ONO SOKKI

Wide measurement range from 6.0 r/min (low-speed rotation) to 99999 r/min (high-speed rotation)!!

The embodiment of pioneering technology

Handheld Digital Tachometer HT-5500

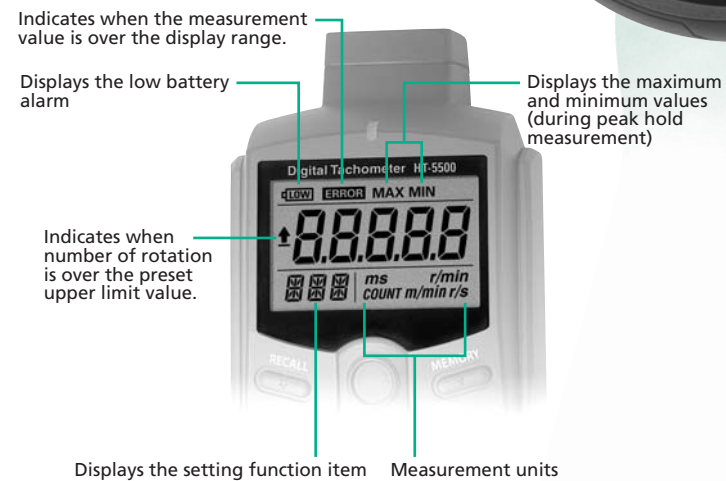
- 1 Built-in memory function**
20 data (MAX) can be saved to memory.
- 2 Capable of both contact and non-contact measurement in one unit**
Line speed measurement is also enabled with the non-contact type.
- 3 Both analog and pulse outputs provided as standard**
Used for recording the number of rotations and as rotation synchronization signals.
- 4 Built-in peak hold function**
The maximum and minimum values can be displayed during measurement.
- 5 Large LCD with backlight**
- 6 Can be mounted on a tripod**
The tachometer can be fixed to a tripod for continuous measurement.



Attach the contact adapter (HT-0502) and circumferential ring (KS-100 or KS-200) to enable measurement of line speed.

non-contact

Red visible ray



Easy-to-read, large LCD (with backlight)



Screw for tripod attachment
Screw for contact adapter attachment (the same screw is used for both)

Battery compartment (four AAA alkaline batteries)

Connector for pulse output






Connector for analog output

Connector for the AC adapter (PB-7080 option)

Specifications				
Detection methods		Optical reflective non-contact measurement; contact method (contact adapter supplied)		
Reflection detection distance		20 to 300 mm		
Display		5-digit LED, with backlight (character height: 10.2 mm)		
Measurement time		Within 1 s + time required for one cycle (however, when the rotation is less than 60 r/min, twice the time required for one cycle (MAX))		
Display update time		Approx. 1 s		
Measurement units		r/min, r/s (rotations) m/min (line speed) ms (cycle) COUNT (cumulative count)		
Measurement ranges		Non-contact method	Contact method	
	r/min (Hi range)	6 to 99999	6 to 20000	
	r/min (Lo range)	6.0 to 600.0	6.0 to 600.0	
	r/s	0.10 to 999.99	0.10 to 400.00	
	m/min	0.6 to 9999.9	0.6 to 400.0	
	COUNT	0 to 99999	0 to 99999	
ms	0.6 to 9999.9	2.5 to 9999.9		
Measurement accuracy		Displayed value* x (±0.02%) ± 1 count * The displayed value is the count value excluding figures after the decimal point. Note: • The measurement accuracy of the circumferential speed depends on the number of rotations of the rotating object. • The measurement accuracy given above is for non-contact measurement. Measurement errors caused by hand shake are not included. With contact measurement, the smoothness and accuracy of the contact tip are added to the above value.		
Measurement functions	Peak hold function	Maximum value (MAX), minimum value (MIN)		
	Memory function	20 data (MAX)		
	Over-range function	The over-range alarm (ERROR mark) is displayed when the measured value exceeds the display range.		
	Rotation upper limit alarm function	The upper limit alarm (↑ mark) is displayed when the number of rotations exceeds the preset upper limit value.		
	Line speed calculation function	Calculates the line speed from the preset diameter value (mm) and the measured number of rotations	Use the KS-100/200 circumferential rings	
	Accumulating function	Provides a cumulative count of the input signal pulses		
Cycle measurement function	Measures the input pulse cycle (however, when the cycle is less than 1 s, measures the mean value of the input pulses)			
Output section	Analog output	Output voltage	0 to 1 V/0 to F.S. (Full scale can be set arbitrarily.)	
		Conversion method	10-bit D/A conversion	
		Linearity	±1%/F.S.	
		Output update time	Within 50 ms + 1 cycle	
		Temperature stability	±0.05%/FS/°C (span & zero)	
		Setting error	±0.5%/F.S.	
	Pulse output	Load resistance	At least 100 kΩ	
		Output voltage	Hi level: At least +4.5 V Lo level: Up to +0.5 V	
		Output logic	Positive logic	
		Load resistance	At least 100 kΩ	
		Power source	Four AAA alkaline batteries or exclusive AC adapter (PB-7080 option)	
		Battery life	At least 32 hours (when the backlight is OFF) At least 8 hours (when the backlight is ON)	
Low battery alarm indicator	A low battery alarm mark (LOW) is displayed when the battery voltage falls below 4.4 V.			
Operating temperature	0 to 40°C			
Storage temperature	-10 to 50°C			
Outer dimensions	180.5 (W) X 47.5 (H) X 66 (D)mm 237.2 (W) X 47.5 (H) X 66 (D)mm (with the contact adapter)			
Weight (including batteries)	Approx. 267 g Approx. 329 g (with the contact adapter)			
Accessories	Contact adapter (HT-0502) 1 Contact tip for rotation measurement (KS-300) 1 Circumferential ring (KS-200) 1 Reflective marks (12-mm square; 25 pcs.) 1 sheet AAA alkaline batteries 4 Carrying case 1			

Note: Please refer to the User's Manual for the operating procedures.

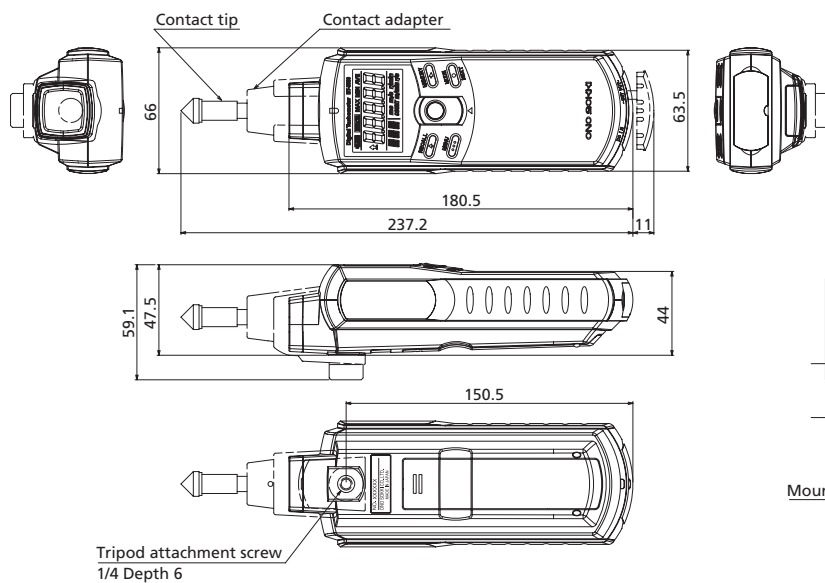
Peripherals (sold separately)

For contact-type measurement	Circumferential ring (mm/s) KS-100 	Circumferential ring (m/min) KS-200 	<ul style="list-style-type: none"> ● AX-501 Signal output cable (2-m length) (used for both analog and pulse outputs) ø2.5 pin plug—CO2 (BNC) plug ● HT-0521A Stand jig ● HT-0522 Magnetic stand ● LA-0203A Measurement tripod ● PB-7080 AC adapter (100 to 240 VAC) ● HT-0502 Contact adapter Used in combination
	Contact tip (for rotation measurement) KS-300 	Extension shaft for KS-300 KS-700 	
For non-contact-type measurement	Reflective marks (10 sheets/pack) HT-011  The recurrent reflective sheet used provides superior reflectability.		

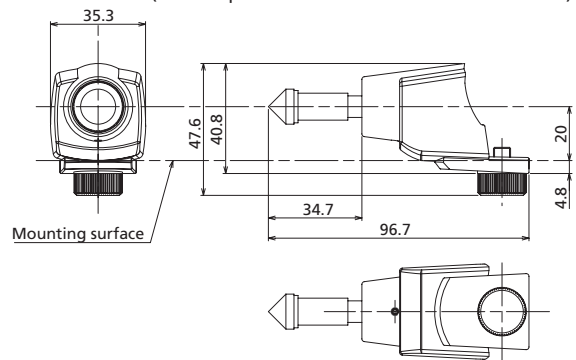
External diagram

▼ HT-5500

Unit: mm



▼ KS-300 (Contact tip)
HT-0502 (Contact adapter)
(not compatible with the earlier HT-0501 model)



ONO SOKKI

* Outer appearance and specifications are subject to change without prior notice.

URL: <http://www.onosokki.co.jp/English/english.htm>

U.S.A. & CANADA

Ono Sokki Technology Inc.
2171 Executive Drive, Suite 400
Addison, IL. 60101 U.S.A.
Phone : 630-627-9700
Fax : 630-627-0004
URL : <http://www.onosokki.net>
E-mail : info@onosokki.net

P.R.CHINA

Ono Sokki Beijing Office
Beijing Jing Guang Center 3510
Hu Jia Lou, Chao Yang Qu
Beijing P.R.C. 100020
Phone : 010-6597-3113
Fax : 010-6597-3114
E-mail : onosokki@public.bta.net.cn

WORLDWIDE

Ono Sokki Co., Ltd.
1-16-1 Hakusan, Midori-ku,
Yokohama 226-8507, Japan
Phone : 045-935-3976
Fax : 045-930-1906
E-mail : overseas@onosokki.co.jp