

# SPECIFICATIONS

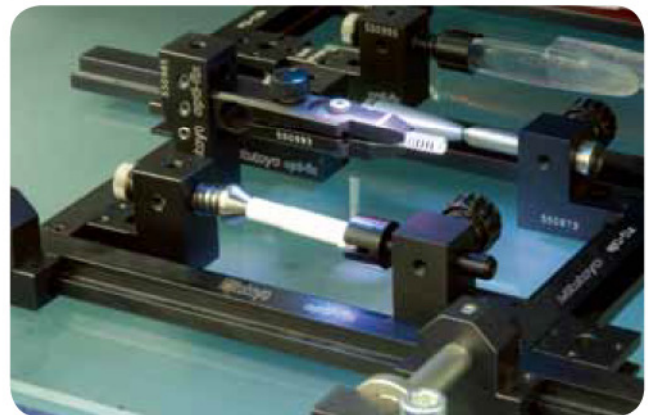
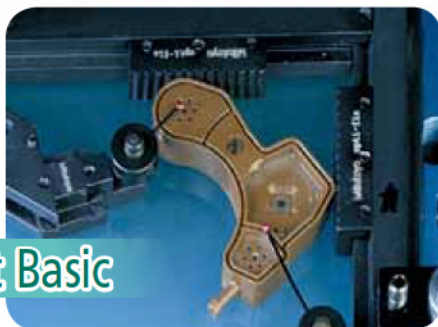
## QI-A Series

Model No.	QI-A1010C	QI-A2010C	QI-A2017C	QI-A3017C	QI-A4020C
Code No.	361-840A	361-841A	361-842A	361-843A	361-844A
View field	32x24mm				
Measurement mode	High resolution mode/Normal mode				
Measuring range (X, Y axes)	100x100mm	200x100mm	200x170mm	300x170mm	400x200mm
Travel range (Z axis)	100mm				
Accuracy	Measurement accuracy within the screen*1	High resolution mode: $\pm 2\mu\text{m}$ /Normal mode: $\pm 4\mu\text{m}$			
	Repeatability within the screen ( $\pm 2\sigma$ )*2	High resolution mode: $\pm 1\mu\text{m}$ /Normal mode: $\pm 2\mu\text{m}$			
	Measurement accuracy (U1xy)*1	$\pm (3.5+0.02L)\mu\text{m}$ , L: arbitrary measuring length (mm)			
Imaging device	3 megapixel, 1/2", color-compatible				
Monitor magnification*3	7.6X				
Optical system	Magnification (Telecentric Optical System)	0.2X			
	Working distance	90mm			
	Depth of focus	High resolution mode: $\pm 0.6\text{mm}$ /Normal mode: $\pm 11\text{mm}$			
Illumination	Transmitted light: Green LED telecentric illumination Co-axial light: White LED Ring light: quadrant white LED				
Effective stage glass size	170x170mm	242x140mm	260x230mm	360x230mm	440x232mm
Maximum stage loading*4	Approx. 10Kg		Approx. 20Kg		Approx. 15Kg
Power supply	100-240VAC, 50/60HZ				
Main unit mass	Approx. 70Kg	Approx. 74Kg	Approx. 140Kg	Approx. 148Kg	Approx. 154Kg
Accuracy guaranteed temperature	20 $\pm$ 1°C				

\*1 Inspected to Mitutoyo standards by focus point position.  
\*3 For 1X digital zoom (when using the 22-inch wide monitor)

\*2 The measuring accuracy is guaranteed to be accurate within the depth of focus.  
\*4 Does not include extremely offset loads and concentrated loads

## Optional Accessories Opti-Fix Fixtures

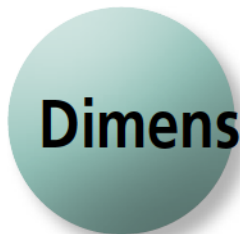


**Kit opti-set Basic**

Code No.: K551057

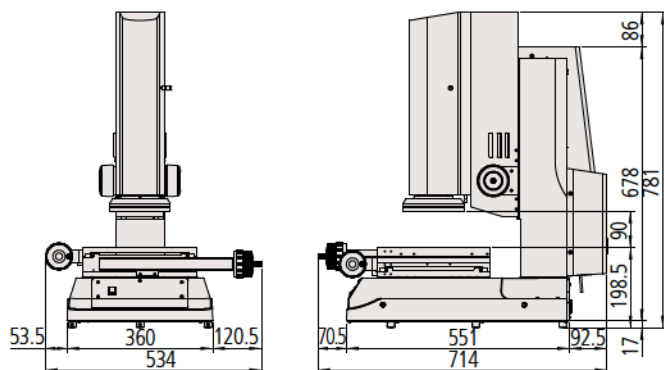
**Kit opti-set Rotation**

Code No.: K551058



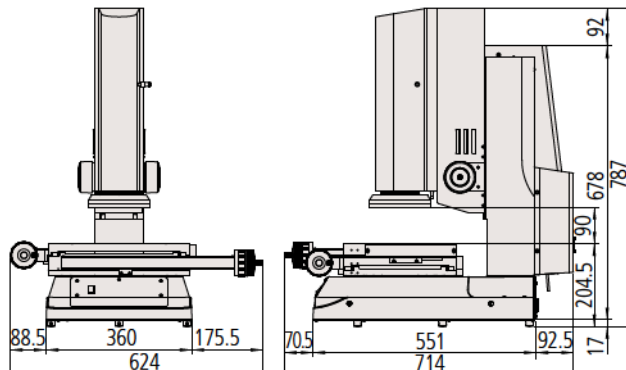
# Dimensions chart

QI-A1010C

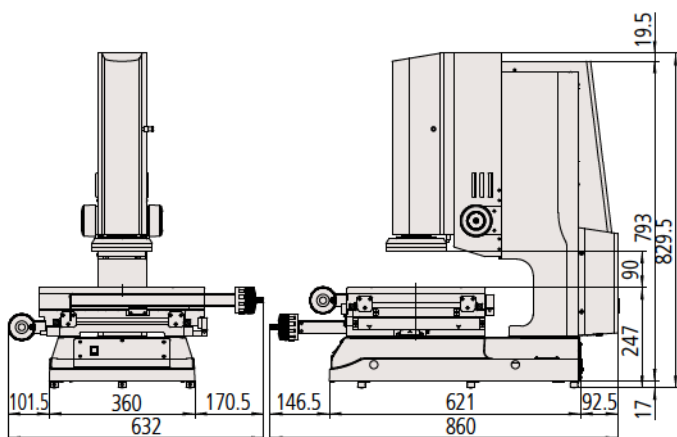


QI-A2010C

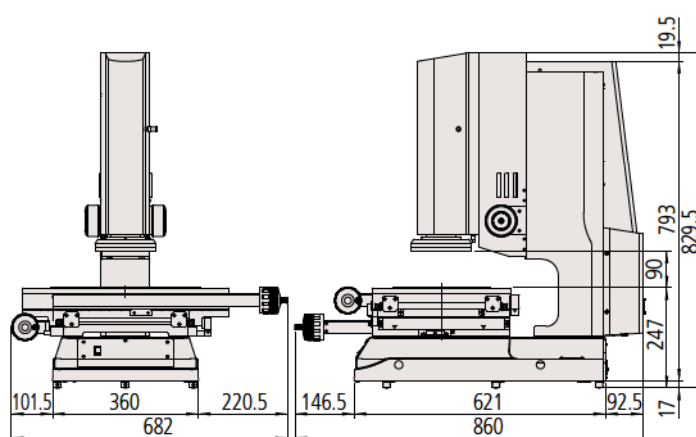
Units: mm



QI-A2017C



QI-A3017C



QI-A4020C

