

Attachment for Compression Test of Syringe MED-SCT-500N

This attachment is designed for compression test of syringe.
It handles syringes in capacity from 0.5 up to 50ml.
It enables compression test according to a part of ISO 7886-1:2017.



Standards	<ul style="list-style-type: none"> • ISO 7886-1:2017 : A part of [Sterile hypodermic syringes for single use -- Part 1: Syringes for manual use]
------------------	--

Install Test Saample

Put the ring best suited to the syringe diameter.	Put the syringe through to the hole.	Adjust the water levels of injection in the syringe and the cup to the same.

Specifications	
Model	MED-SCT-500N
Capacity of force	500N
Capacity of measurable injection	0.5 - 50ml
Ring's diameter	φ10/15/24/33mm
Size	See the Dimensions on page 3.
Remarks	Mount this attachment on an IMADA test stand.
Attachment	Cup

* Weight of the attachment is also applied as a load on the force gauge. Consider it when selecting the capacity of a force gauge.

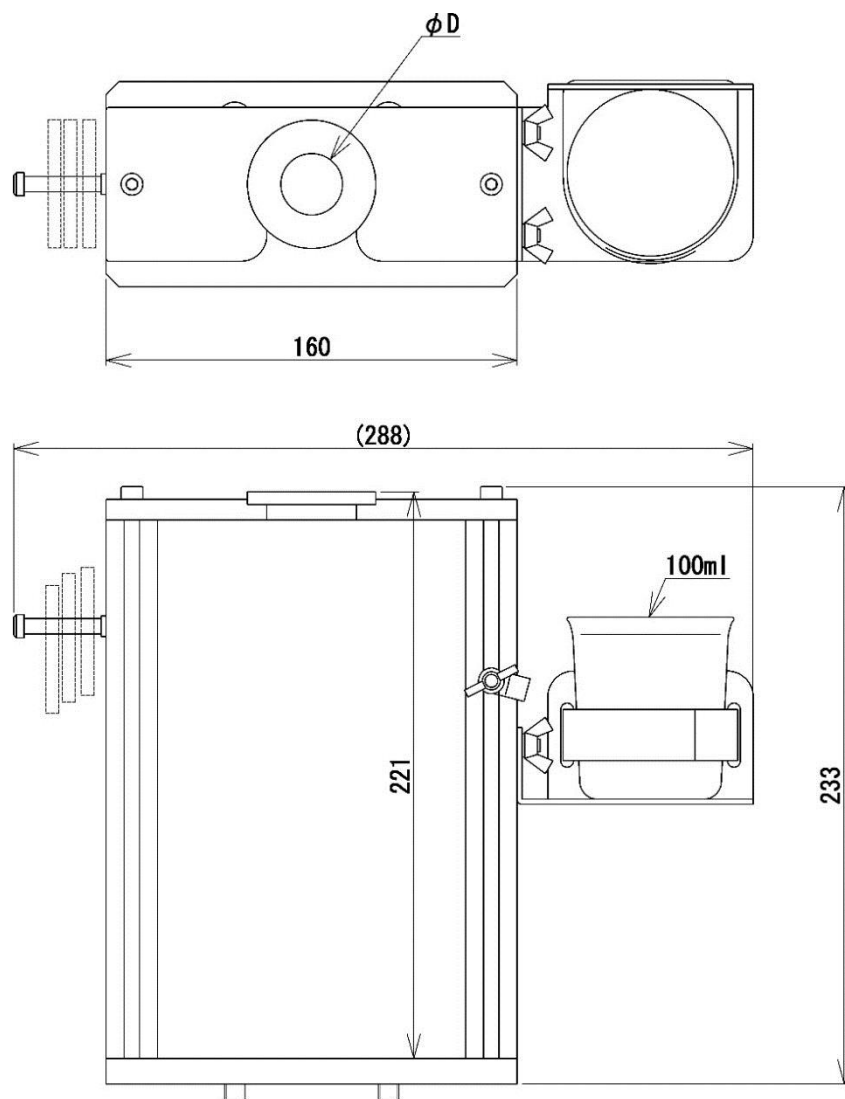
Example of Product Configuration	
<p>Configuration 1 Code: 1S2001A</p> <p>- According to ISO 7886-1:2017 "Sterile hypodermic syringes for single use -- Part 1: Syringes for manual use" (a corresponding part)</p> <p>- Up to 50N</p> <p>Digital force gauge: ZTS-50N Motorized test stand: MX2-500N-L Optional attachment: MED-SCT-500N Optional tray: PTW-10IN Optional cable: CB-518 Optional software: Force Recorder Standard</p>	

- * Refer to the specification of each product for details.
- * Product configuration varies depending on the shape and characteristic of the sample, and measurement conditions.
- * The recommended capacity of force gauge varies depending on the expected force to be loaded.
- * The force gauge comes with a compression attachment S-2, so combine S-2 with the force gauge to compress the syringe.

Related Products		
Attachment for needle bonding strength test MED-NPT-200N	Optional tray PTW-10IN ※1	Durability test fixture PR-500N/PR-2500N
It is designed to evaluate the force of pulling out the needle apart from the hub.	It receives injections, placed on the table of a test stand.	It is designed for durability test of retort pouch, heat sealed packages, box, and the like.

*1 It avoids injection from escaping to the test stand a lot, however, we do not guarantee the perfect injection-proof. And, we recommend that you often clean up the tray.

[Dimensions]



Unit : mm

[Cautions]

- The contents may be changed without previous notice.
- A force gauge (sold separately) is required to use this product.
- All of products are designed for measurement purpose only.
- You may not grip some samples depending on its material or shapes.
- Do not copy and use this content without authority.

IMADA CO., LTD

99 Jinnoshinden-cho aza Kanowari Toyohashi
Japan 441-8077
Tel: +81-(0)532-33-3288
Fax: +81-(0)532-33-3866
E-mail: info@forcegauge.net
Website: <http://www.forcegauge.net/en/>



Visit our website for more information on wide product specifications, measurement applications and videos.