

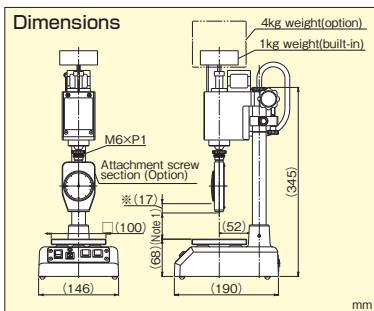


# Measuring Stand for Durometer

When hardness measurements are taken with the hand-push type durometers, there can be wide differences in the obtained values due to differences among users. Therefore, measurement stands in accordance with ISO and JIS standards have been commercialized to provide measurements with greater stability and higher reproducibility

## Automatic Motorized Durometer Stand GS-610

- \*By simply operating switches, durometer measurements can be taken with the exact load and speed stipulated in the standards
- \*The use of a stepping motor when measuring rubber hardness allows for stable measurement results, greatly eliminating the data disparities common with the hand-push method
- \*The stand is equipped with an alignment unit to realize very good cohesion between the durometer indenter and test material
- \*1kg measurements can be made using Type A and Type E durometers without any special modifications. The optional ZY-046 weight is required when taking measurements using Type D durometers. Likewise, the ZY-090 1kg weight is required when making measurements using GSD series of digital durometers.
- \*ISO documents can be issued when using this stand. (option)

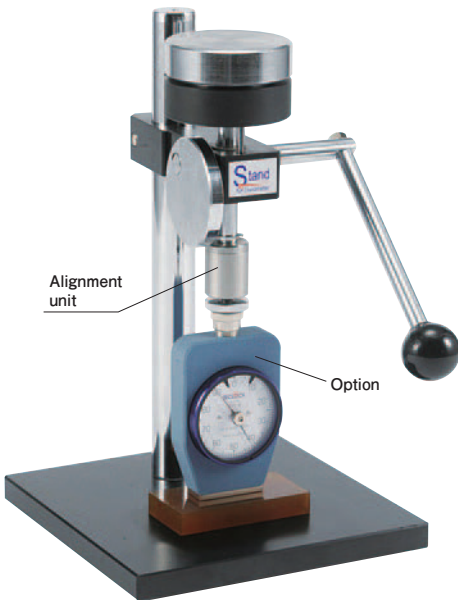
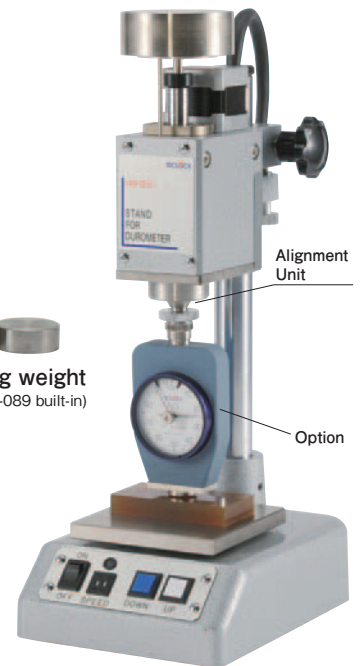


(\*17)Dimensions for opening by motor  
 Note 1: Maximum work thickness  
 Digital durometer: 21mm  
 Analog durometer: 47mm  
 L-type cannot be used



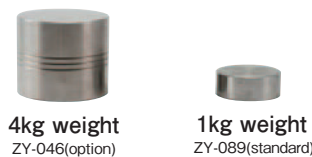
### Specifications

Measuring load	Weight code	Compatible durometer
1kg weight	for Analog	ZY-089(standard)
	for Digital	ZY-090(option)
4kg weight	ZY-046(option)	D, ASTM, C, DO, old JIS C
Lowering speed variable range		1-19mm/sec. in 1mm/sec. interval
Power source		AC100V Adapter
Weight		9kg



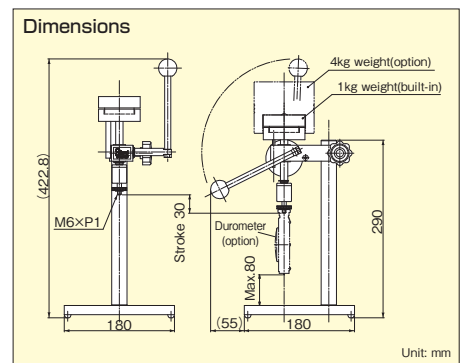
## Manual Durometer Stand GS-615

- \*Rubber hardness measurement with loads stipulated by JIS, ISO and others can be made by attaching a durometer and conducting manual operations.
- \*Equipped with an alignment unit for easy use at an affordable price.
- \*This alignment unit realizes very good cohesion between the durometer indenter and test material
- \*1kg measurements can be made using Type A and Type E durometers without any special modifications
- The optional ZY-046 4kg weight is required when taking measurements using Type D Durometer. Likewise, the ZY-090 1kg weight is required when making measurements using the GSD series Digital durometers
- \*ISO documents can be issued when using this stand.(The operating speed cannot be certified)



### Specifications

Measuring load	Weight code	Compatible durometer
1kg weight	for Analog	ZY-089(standard)
	for Digital	ZY-090(option)
4kg weight	ZY-046(option)	D, ASTM, C, DO, old JIS C
Weight		3.9kg



### Alignment Unit(new function):

This new Alignment Unit is exclusively designed by Teclock and can be moved forward, backward, up and down to achieve very good cohesion between the durometer presser foot and test material surface. The GS-610, GS-615 and CX-01 series are equipped with this unit.

