



Technical Data

Accuracy: Refer to the list of specifications
 Resolution: .001", .0005", or .0002"
 0.01mm, 0.02mm, or 0.005mm
 Display: Analog / Digital
 Power Supply: AAA Battery (2 pcs.)
 Battery life: Approx. 350 hours
 Measuring Force: 0.8 - 1.7N
 Dust/Water protection level: IP67
 Provided with inspection certificate.

Function

Zerose, Preset, Auto power OFF, Inch/Metric conversion,
 Data hold, Max/Min value holding, Data output
 * Contact type 3, 4 does not have max. min. value hold.

Digimatic Caliper Gages

SERIES 209 — External Tube Thickness Measurement Type

Versatile OD measuring gages for groove thickness, tube thickness, and hard-to-reach dimensions. The Digimatic Caliper Gages provide error-free LCD readings as well as data output for SPC analysis.

External measurement type

209-572

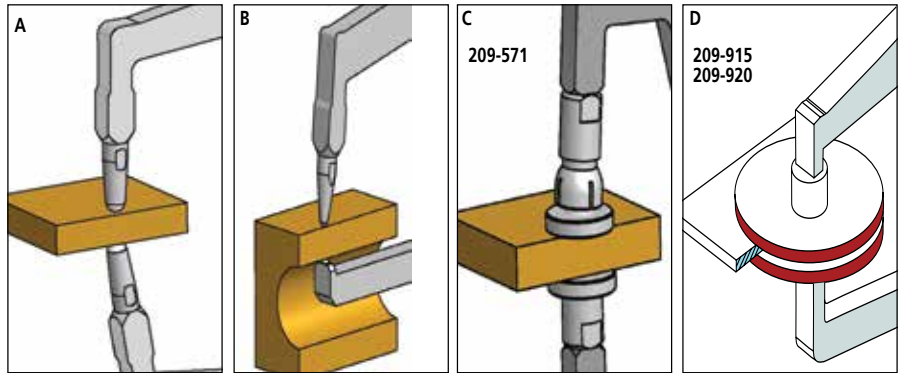
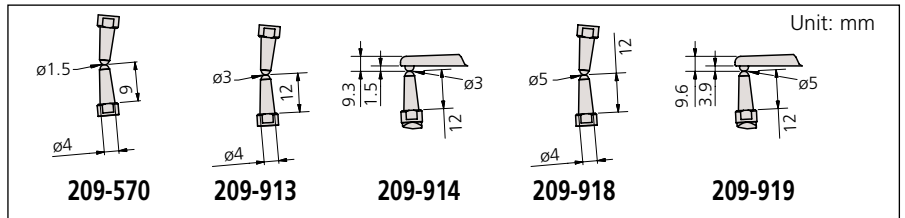
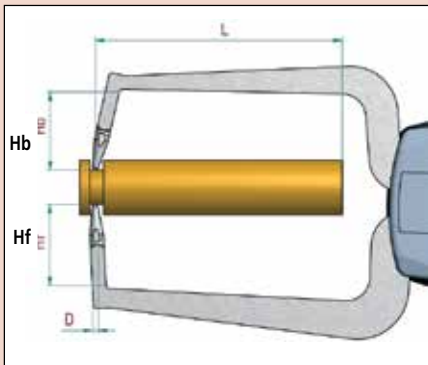


SPECIFICATIONS

Range	Order No.	Resolution	Accuracy	Max. Measuring Depth L	Measuring Contact length Hb	Measuring Contact length Hf	Type of Measuring Contact/type of set up	Mass(g)
0 - .39" / 0-10mm	209-570	.0002" / 0.005mm	.0008" / 0.05mm	1.37" / 35mm	.75" / 19.1mm	.73" / 18.6mm	Ball .059" / 1.5mm dia. Both/ A	240
0 - .39" / 0-10mm	209-571	.0002" / 0.005mm	.001" / 0.02mm	1.37" / 35mm	.85" / 21.7mm	.58" / 14.8mm	Desc .24" / 6mm dia. Both/ C	175
0 - .78" / 0-20mm	209-572	.0005" / 0.01mm	.0015" / 0.03mm	3.2" / 85mm	.97" / 24.7mm	.97" / 24.6mm	Ball .059" / 1.5mm dia. Both/ A	280
0 - .78" / 0-20mm	209-573	.0005" / 0.01mm	.0015" / 0.03mm	3.2" / 80mm	.97" / 24.7mm	.10" / 2.5mm	Ball .059" / 1.5mm dia. Both/ B	270
0-1.18" / 0-30mm	209-913	.001" / 0.02mm	.002" / 0.04mm	4.5" / 114mm	1.17" / 30mm	1.17" / 30mm	Ball Ø.12" / 3mm A	430
0-1.18" / 0-30mm	209-914	.001" / 0.02mm	.002" / 0.04mm	4.58" / 116mm	1.17" / 30mm	.16" / 4mm	Ball Ø.12" / 3mm B	410
0-1.18" / 0-30mm	209-915	.001" / 0.02mm	.002" / 0.04mm	4.56" / 116mm	1.42" / 36mm	.94" / 24mm	Disc Ø1.97" / 50mm D	430
0-1.97" / 0-50mm	209-918	.001" / 0.02mm	.002" / 0.04mm	6.57" / 167mm	1.17" / 30mm	1.17" / 30mm	Ball Ø.12" / 3mm A	490
0-1.97" / 0-50mm	209-919	.001" / 0.02mm	.0024" / 0.06mm	6.57" / 167mm	1.17" / 30mm	.18" / 4.6mm	Ball Ø.12" / 3mm B	460
0-1.97" / 0-50mm	209-920	.001" / 0.02mm	.003" / 0.08mm	6.57" / 167mm	1.42" / 36mm	.94" / 24mm	Disc Ø1.97" / 50mm both/D	500

Optional Accessories

- KPL1961-09: SPC Adapter
- 937387: Digimatic cable (1m)
- 965013: Digimatic cable (2m)
- 06ADV380E: USB Input tool Direct cable (2m)
- 02AZD790E: Connecting cable U-Wave
- 011550: Digimatic interface adapter w/cover
- 011530: Holder for stand



Ball ø 1.5 and 3mm for wall thickness

Ball ø 1.5 and 3mm for min. wall thickness ø3mm / 9mm

Disc ø6mm for flat surfaces

Disc ø50mm for flat surfaces

