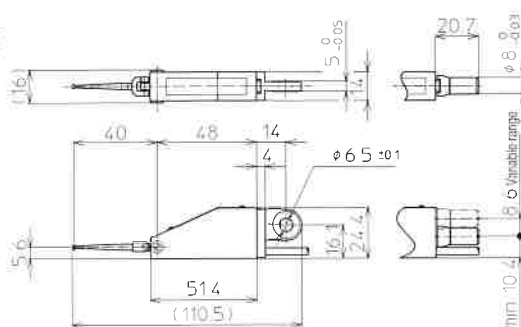


DTH-L□□

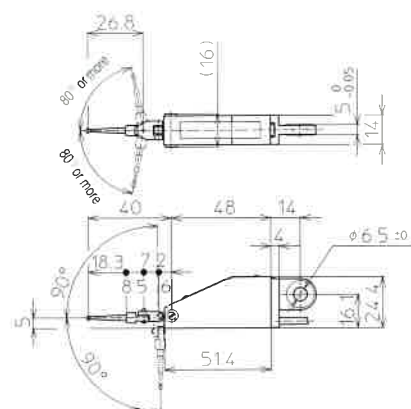
Very low measuring force of 0.0196 N and up.



When a stem holder is installed

DTH-L□□U

Universal type to allow the direction of measurement to be changed freely. Very low measuring force of 0.0196 N and up.

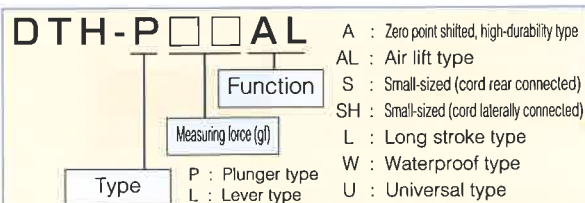


Specifications

Model	DTH-P20	DTH-P40	DTH-P70	DTH-P16AL	DTH-P20S	DTH-P40S	DTH-P70S	DTH-P20SH	DTH-P40SH	DTH-P70SH	DTH-P70W	DTH-P50L	
Measuring force	0.196N	0.392N	0.686N	0.157N	0.196N	0.392N	0.686N	0.196N	0.392N	0.686N	0.686N	0.49N	
Measuring range	±1mm (0.4~+1mm in the case of type A)				±0.7mm				±1mm		-0.5~+1.0mm		
Stroke	4 mm (3.5mm in the case of type A)				2mm				3.2mm		18mm		
Zero point position	Approx. 2mm (0.5mm in the case of type A)				Approx. 1mm				Approx. 1.2mm		Approx. 0.5mm		
Repeatability	0.3 μm												
Operating temperature	0~50°C												
Weight (main body only)	Approx. 25g			Approx. 20g			Approx. 23g			Approx. 100g		Approx. 170g	
Cable length					1.5m								
Standard attachments	Contact point *1				F-001				F-171				
Rubber bellows					M-131				M-130		-		

Classification of models

Model	DTH-L02	DTH-L08	DTH-L15	DTH-L02U	DTH-L08U	DTH-L15U
Measuring force	0.0196N	0.0785N	0.147N	0.0196N	0.0785N	0.147N
Measuring range	±0.5mm					
Stroke	1.5mm					
Zero point position	Approx. 0.5mm					
Repeatability	0.3 μm					
Operating temperature	0~50°C					
Weight (main body only)	Approx. 115g					
Cable length	1.5m					
Contact point *1	F-138			F-118		



All the measuring forces are those in a state where no rubber bellows is attached. (Each measuring force is about 5 to 15 g higher if a rubber bellows is attached.) Non-standard specifications (model, measuring force, etc.) are available upon request. *1 Various other contact points are available. (See P. 32.)