

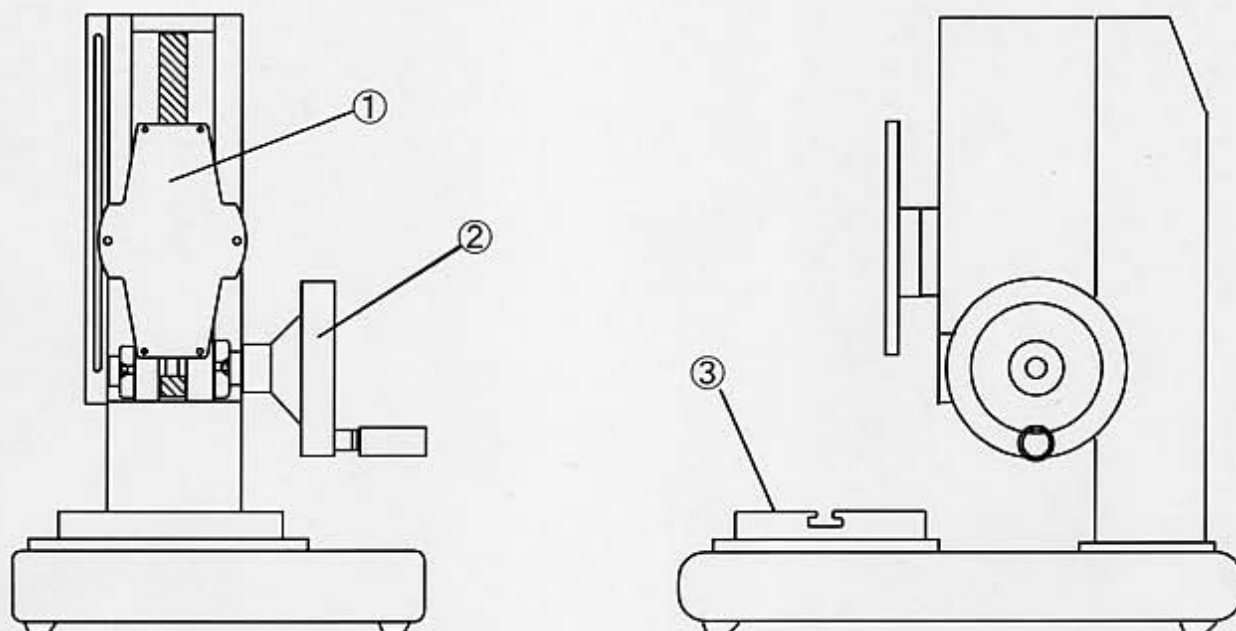
This product is desk top type manual multi push-pull measuring stand with maximum 500N (50kgf) measuring range.

K-501H is more compact and reasonable instrument than our M-501 series. If you need to use a Loadcell with this stand, please specify "Loadcell type." K-501H should be appropriate to various aspects as your demands.

<Remarks>

- Please do not put too much load on gauges over their max. range. Gauges should be overloaded and unable to measure correctly. Just for your information, tolerable load of Analog Push-Pull Gauge is 110%, Digital Force Gauges 100%, and Loadcells 120% of max. load.

Maximum Load	500 N (50 K g f)
Stroke	150 mm
Travel	2 mm / per rotation
Size of testing table	130 × 110 mm
Dimension (W × D × H)	245 × 350 × 475 mm



① *For usage of Analog Push-Pull Gauges and Digital Force Gauges

Attachment Board (Standard)

Please attach suitable gauge to the board with 4-M3 thread for Analog type, and 2-M5 for Digital type.

*For usage of Loadcells

"L" attachment should be used.

Please attach a loadcell with "L" attachment.

② Handle

For moving gauges up and down.

Please rotate the handle to far side to move the gauge up, and to near side to down.

③ Testing Table

For attachment of jigs and chucks if necessary.

Please use "T slot(2-M8x1.25)" to attach them.

